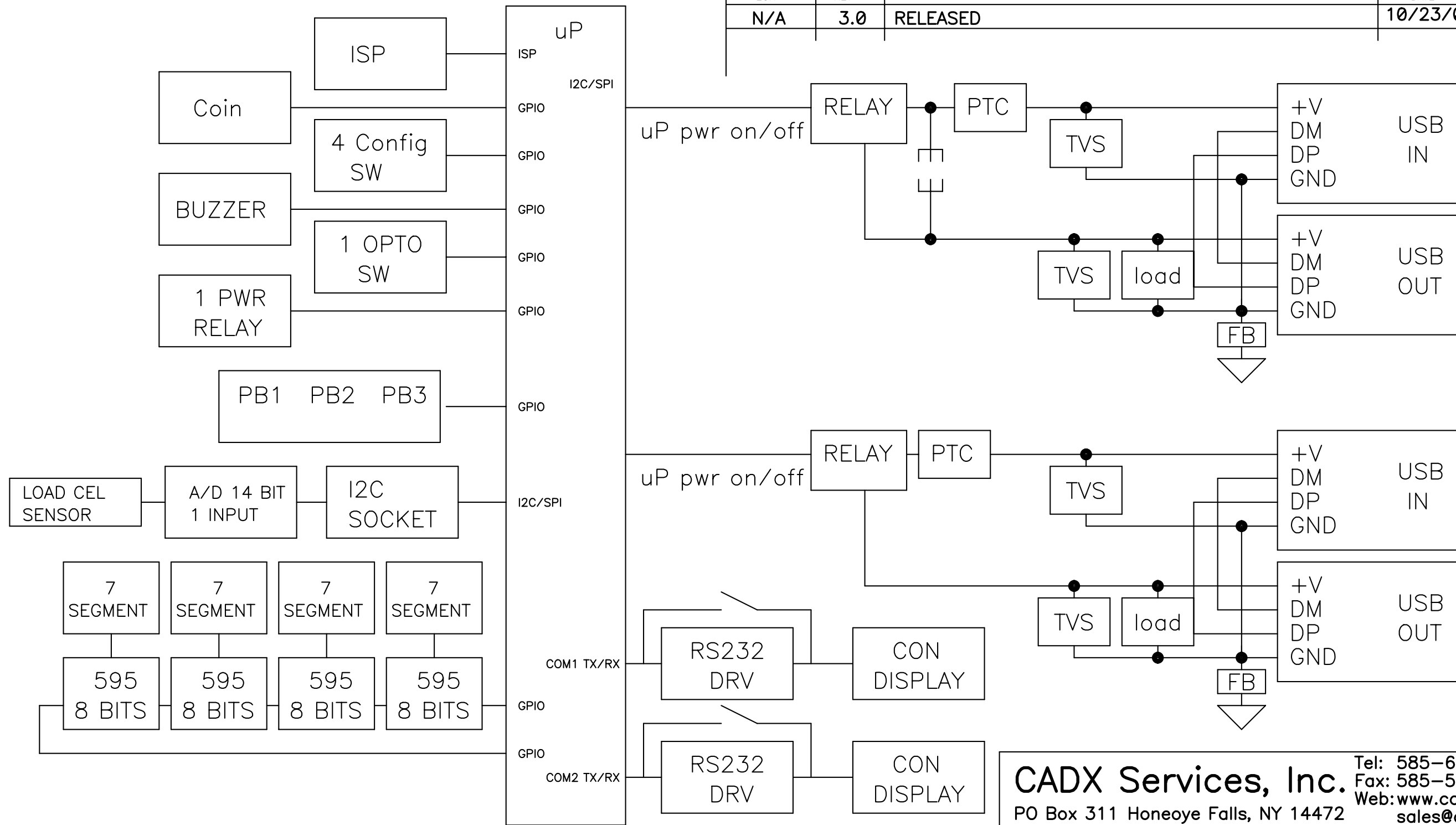


REVISIONS

ECN	REV	DESCRIPTION	DATE	APPROVED
N/A	3.0	RELEASED	10/23/08	TGP



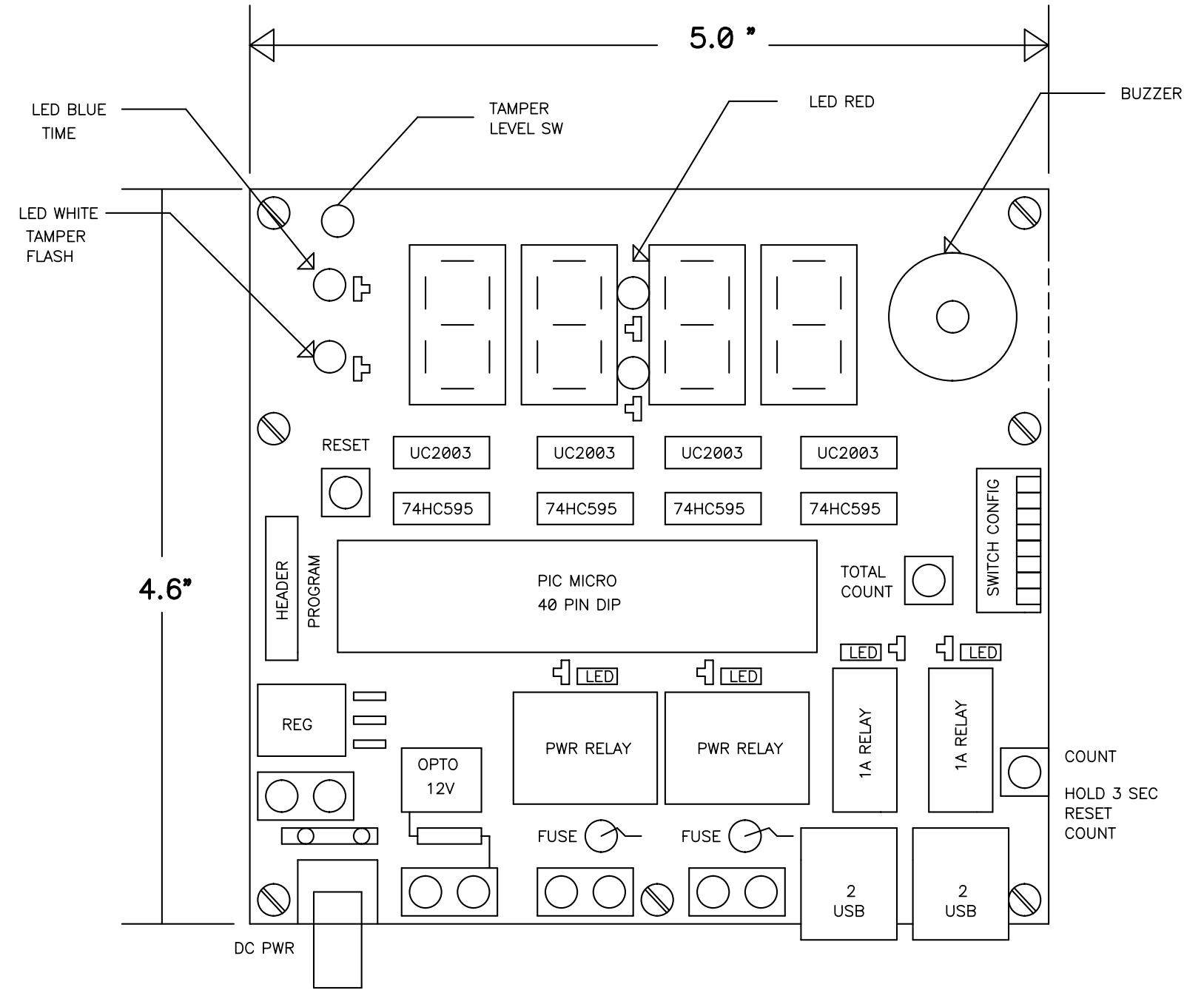
CADX Services, Inc. Tel: 585-624-1491
 Fax: 585-582-1101
 PO Box 311 Honeoye Falls, NY 14472 Web: www.cadx-pcb.com
 sales@cadx-pcb.com

**SCHEMATIC
 DISPLAY / COIN / CHARGER**

ALL INFORMATION CONTAINED IN OR DISCLOSED BY THIS DOCUMENT IS CONSIDERED PROPRIETARY BY CADX DESIGN, INC. AND IS DELIVERED TO YOU IN CONFIDENCE. ALL DESIGN, MANUFACTURING, USE, PRODUCTION, AND ALL SALES RIGHTS, ARE EXPRESSLY PRESERVED BY AND TO CADX DESIGN, INC. AND COMMUNICATION OF THIS INFORMATION TO OTHERS IS PROHIBITED WITHOUT PRIOR WRITTEN CONSENT OF CADX DESIGN, INC.

DRAWN	CADX Services
CHECKED	N/A
ENG APVD	N/A
QA APVD	N/A
MFG APVD	N/A
DOC CONT	N/A
RELEASE	N/A
DIMENSIONS ARE IN INCHES DIMENSIONS PER ANSI Y14.5 UNLESS SPECIFIED	
DO NOT SCALE DRAWING	
MATERIAL	
FINISH	
X .1	.001-.063 DIA. +/- .003
XX .02	.064-.188 DIA. +.004 -.003
XXX .001	.189 AND OVER +/- .005
ANGLES 2 DEG.	

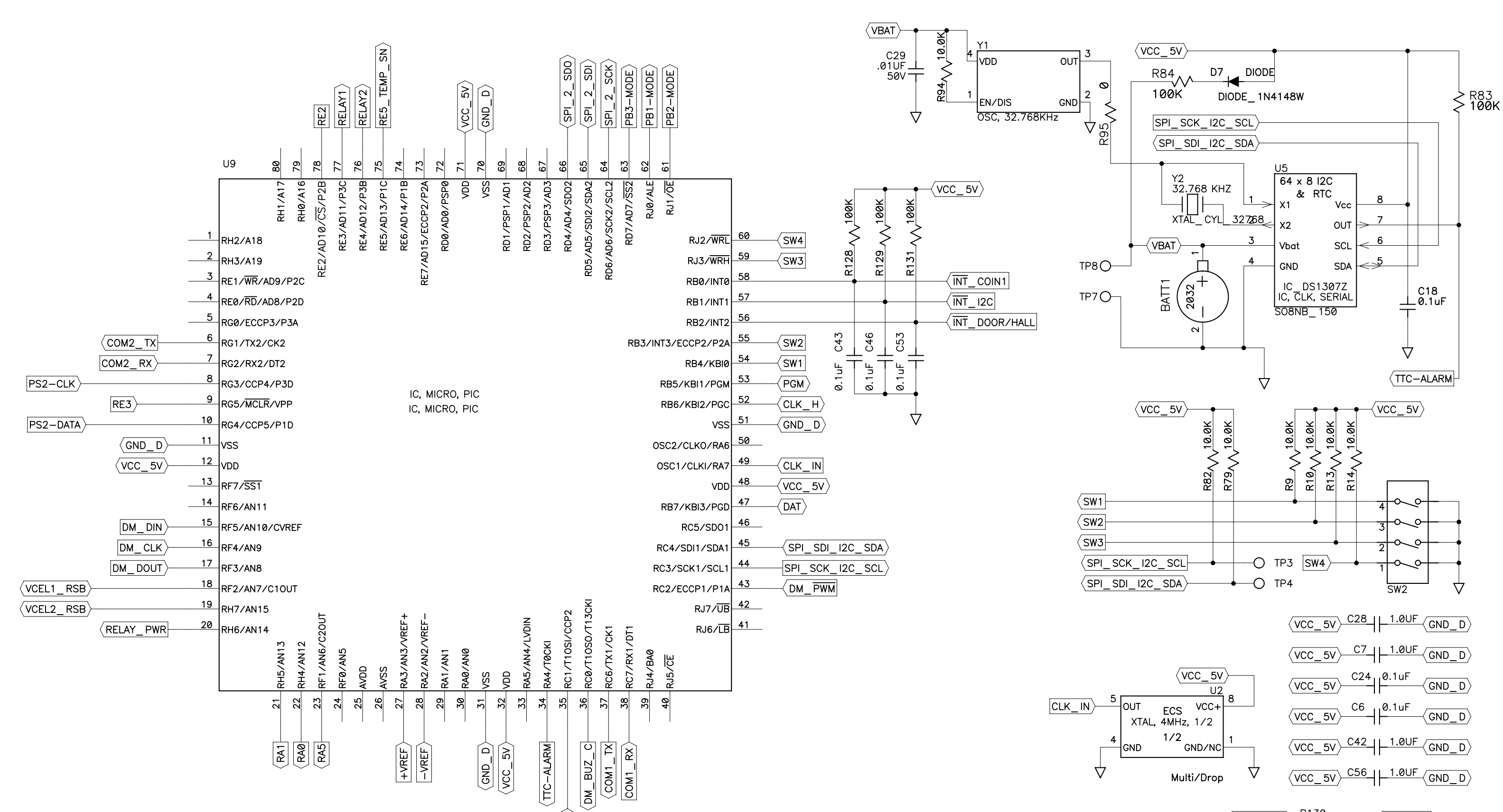
SCHEMATIC K-COIN-M-TH-1003		REV. 3.0	PCB KF--COIN-M-TH-1003	REV. 3.0
PRODUCT KA-COIN-M-TH-1003		REV. 3.0	GERBERS KF-COIN-M-TH-1003	REV. 3.0
SIZE	DWG NO.		REV	
B	K-COIN-M-TH-1003		3.0	
SCALE NONE	DATE Mon Nov 24, 2008		SHEET 1 of 8	



- MTG1 MTG, PLTD, 4-40 CLEAR
- MTG2 MTG, PLTD, 4-40 CLEAR
- MTG3 MTG, PLTD, 4-40 CLEAR
- MTG4 MTG, PLTD, 4-40 CLEAR
- MTG6 MTG, PLTD, 4-40 CLEAR
- MTG7 MTG, PLTD, 4-40 CLEAR
- MTG8 MTG, PLTD, 4-40 CLEAR
- MTG9 MTG, PLTD, 4-40 CLEAR
- MTG10 MTG, PLTD, 4-40 CLEAR
- MTG11 MTG, PLTD, 4-40 CLEAR

ALL INFORMATION CONTAINED IN OR DISCLOSED BY THIS DOCUMENT IS CONSIDERED PROPRIETARY BY CADX DESIGN, INC. AND IS DELIVERED TO YOU IN CONFIDENCE. ALL DESIGN, MANUFACTURING, USE, PRODUCTION, AND ALL SALES RIGHTS, ARE EXPRESSLY PRESERVED BY AND TO CADX DESIGN, INC. AND COMMUNICATION OF THIS INFORMATION TO OTHERS IS PROHIBITED WITHOUT PRIOR WRITTEN CONSENT OF CADX DESIGN, INC.

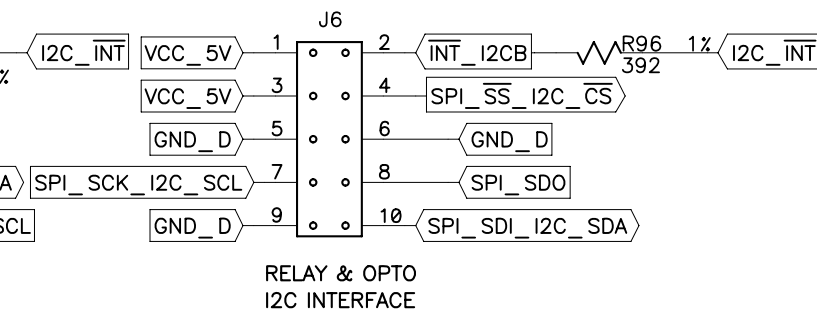
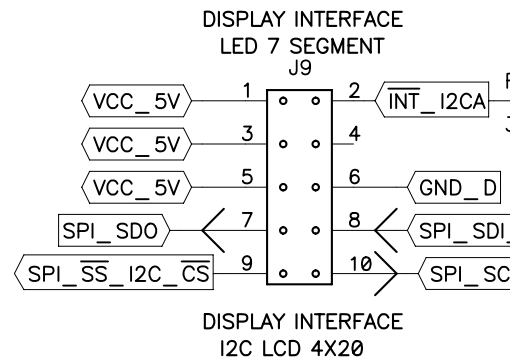
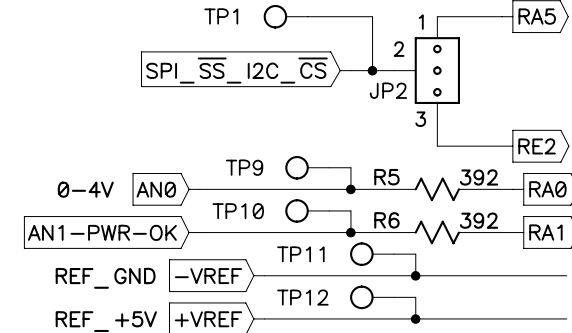
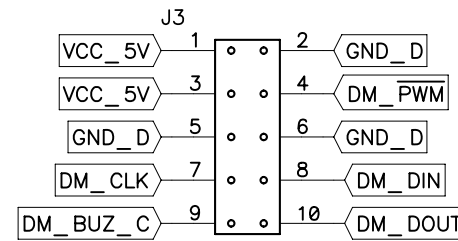
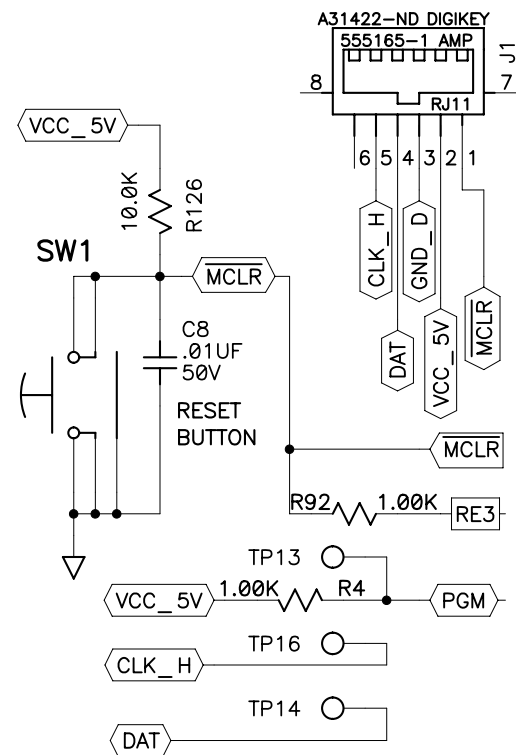
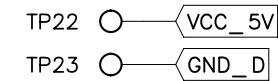
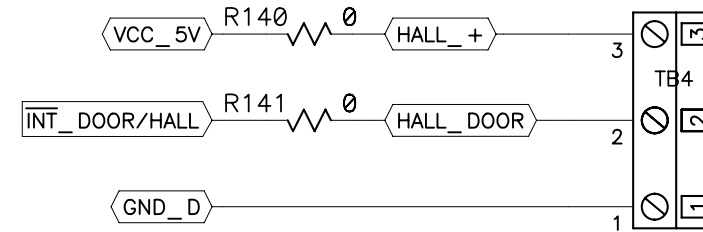
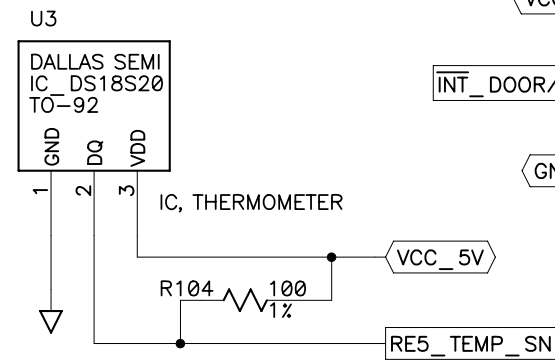
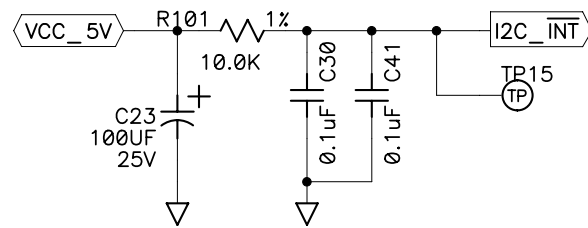
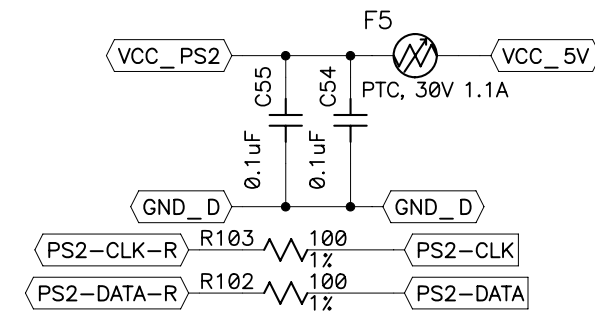
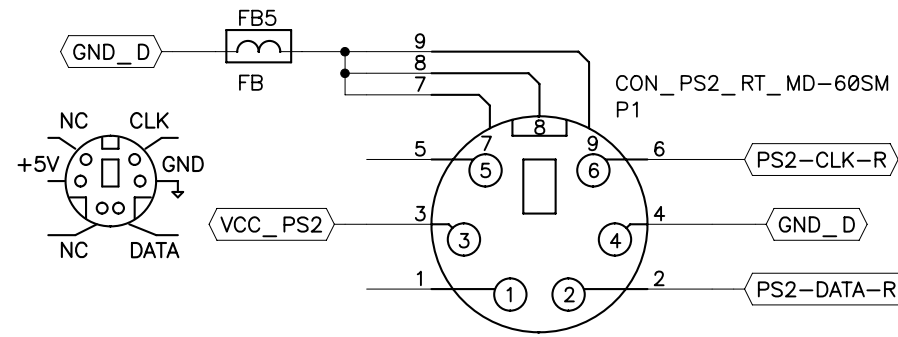
SIZE B	DWG NO. K-COIN-M-TH-1003	REV 3.0
SCALE NONE	DATE Mon Nov 24, 2008	SHEET 2 of 8



ALL INFORMATION CONTAINED IN OR DISCLOSED BY THIS DOCUMENT IS CONSIDERED PROPRIETARY BY CADX DESIGN, INC. AND IS DELIVERED TO YOU IN CONFIDENCE. ALL DESIGN, MANUFACTURING, USE, PRODUCTION, AND ALL SALES RIGHTS, ARE EXPRESSLY PRESERVED BY AND TO CADX DESIGN, INC. AND COMMUNICATION OF THIS INFORMATION TO OTHERS IS PROHIBITED WITHOUT PRIOR WRITTEN CONSENT OF CADX DESIGN, INC.

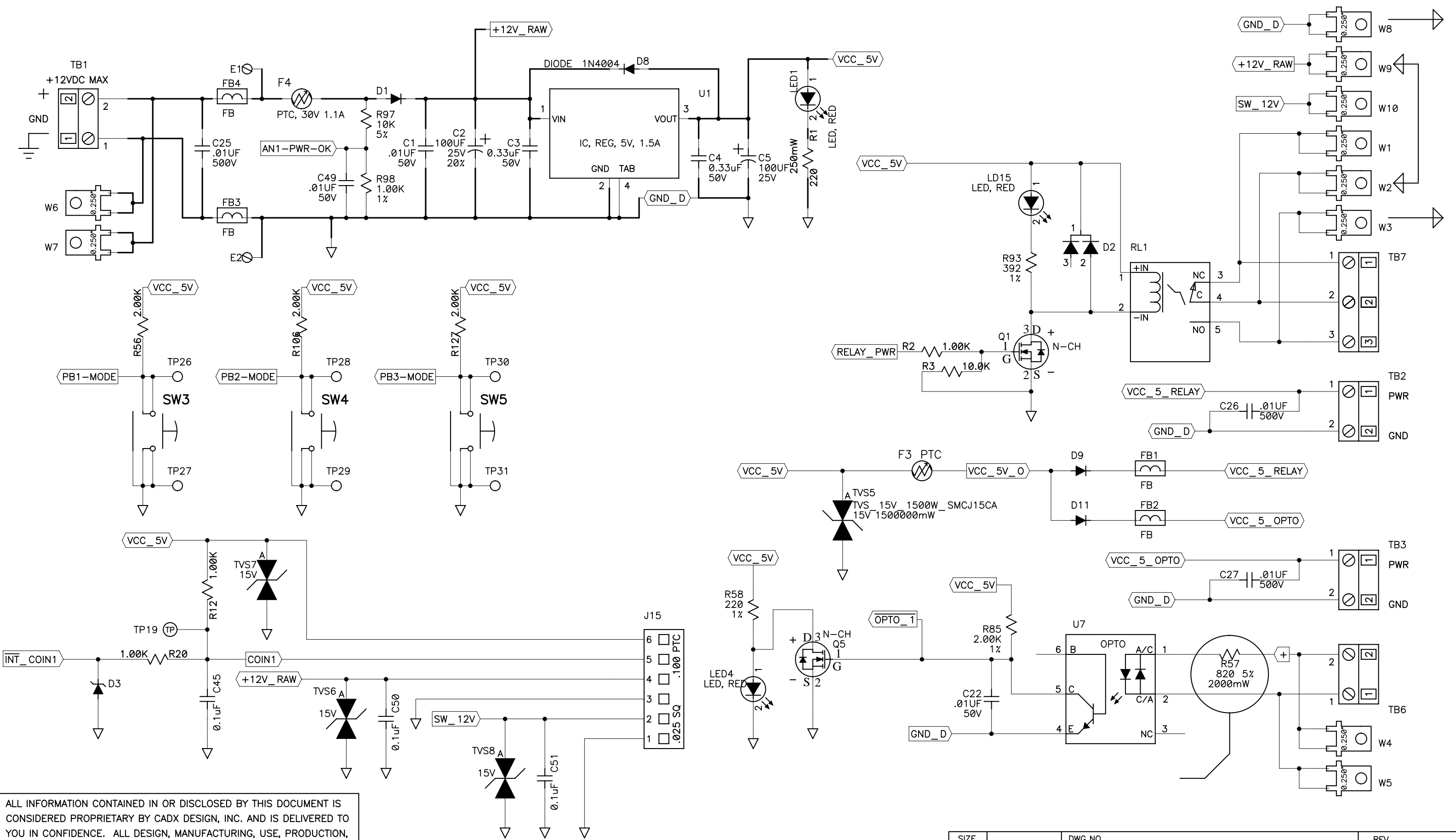
SIZE B	DWG NO. K-COIN-M-TH-1003	REV 3.0
SCALE NONE	DATE Mon Nov 24, 2008	SHEET 3 of 8

- MECH_FID_100_40_BOTH
FID, TOP/BOT
FID15
- MECH_FID_100_40_BOTH
FID, TOP/BOT
FID14
- MECH_FID_100_40_BOTH
FID, TOP/BOT
FID16



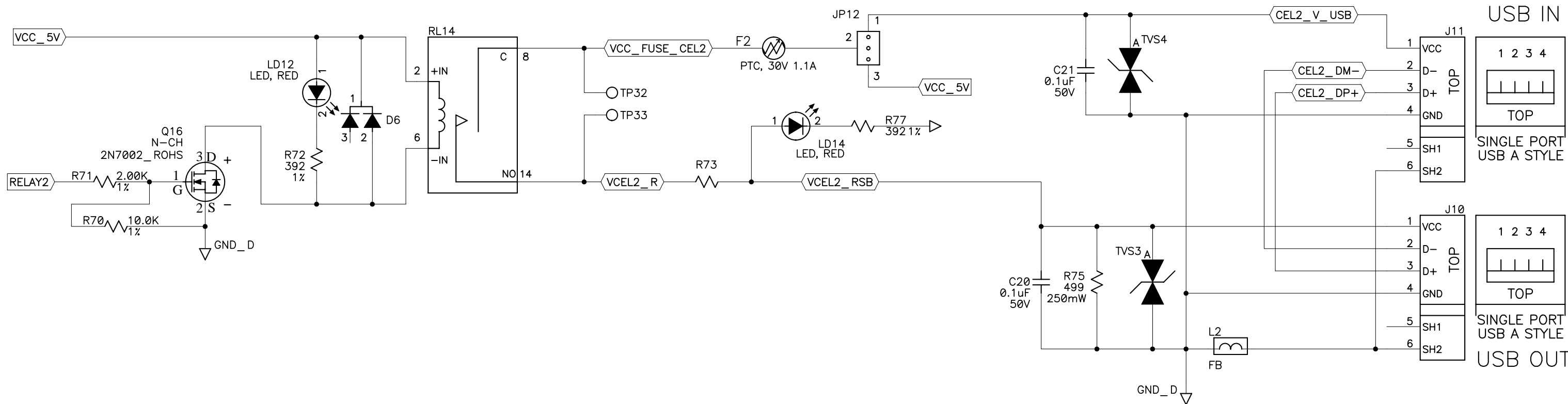
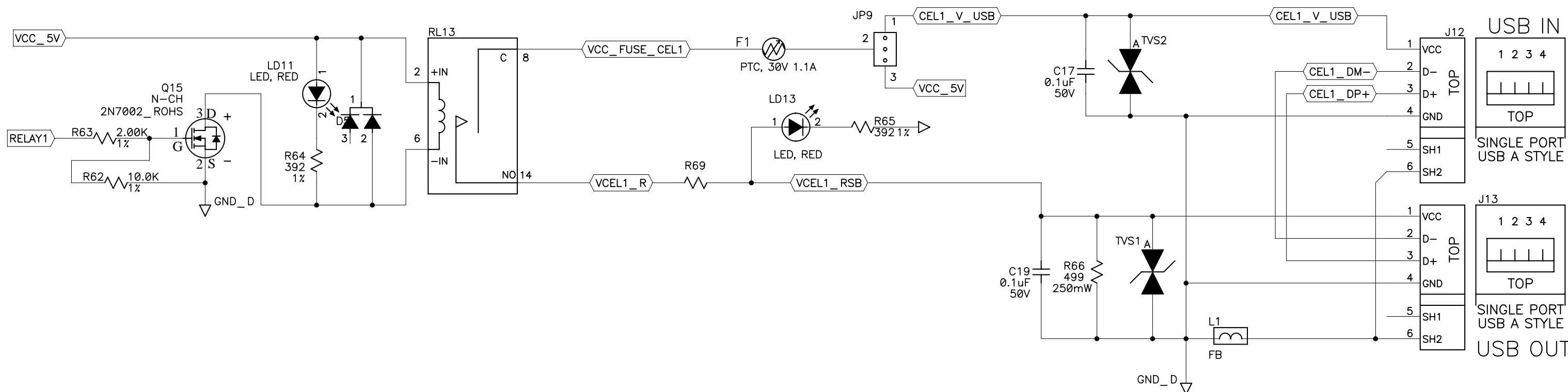
ALL INFORMATION CONTAINED IN OR DISCLOSED BY THIS DOCUMENT IS CONSIDERED PROPRIETARY BY CADX DESIGN, INC. AND IS DELIVERED TO YOU IN CONFIDENCE. ALL DESIGN, MANUFACTURING, USE, PRODUCTION, AND ALL SALES RIGHTS, ARE EXPRESSLY PRESERVED BY AND TO CADX DESIGN, INC. AND COMMUNICATION OF THIS INFORMATION TO OTHERS IS PROHIBITED WITHOUT PRIOR WRITTEN CONSENT OF CADX DESIGN, INC.

SIZE B	DWG. NO. K-COIN-M-TH-1003	REV 3.0
SCALE NONE	DATE Mon Nov 24, 2008	SHEET 4 of 8



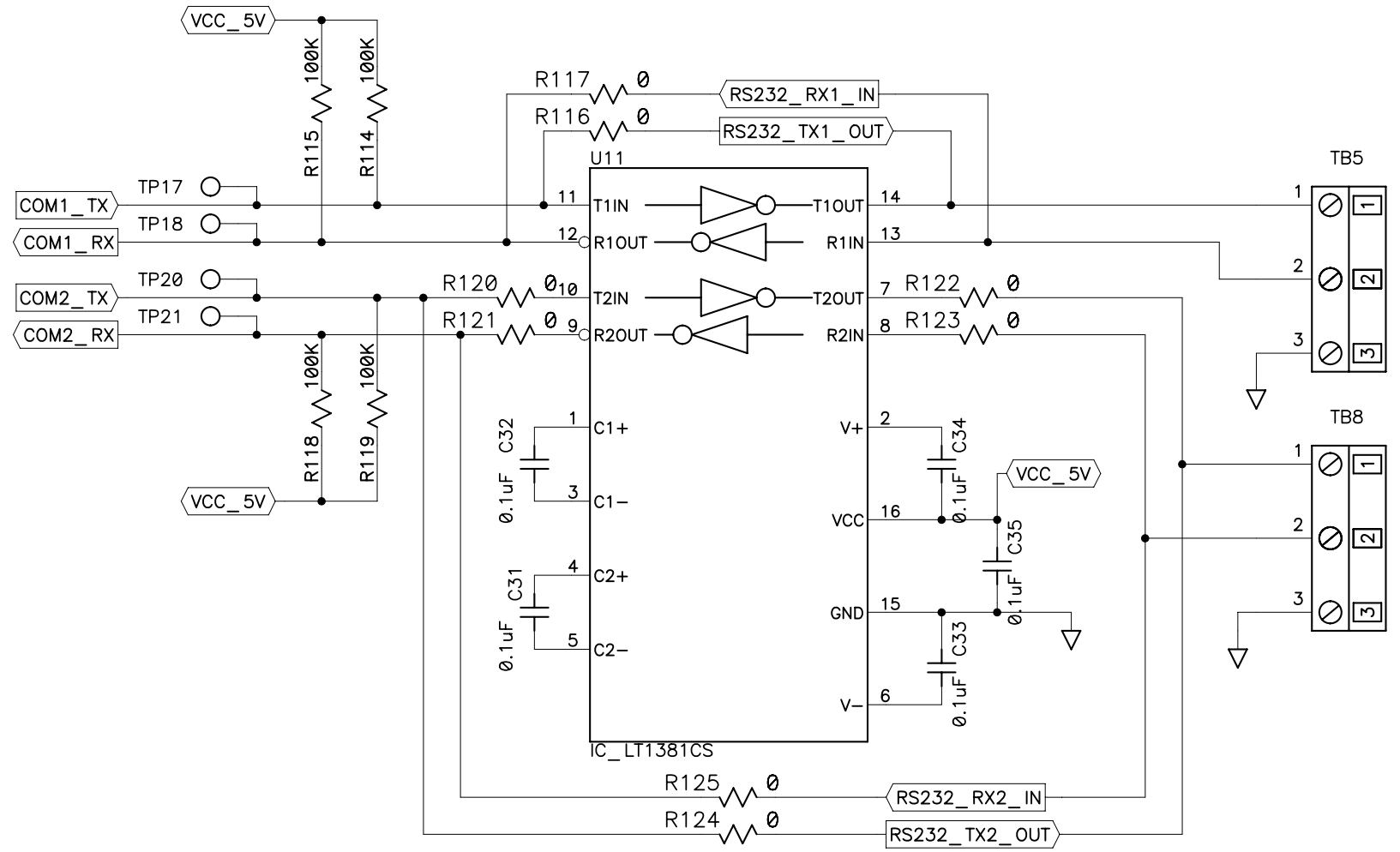
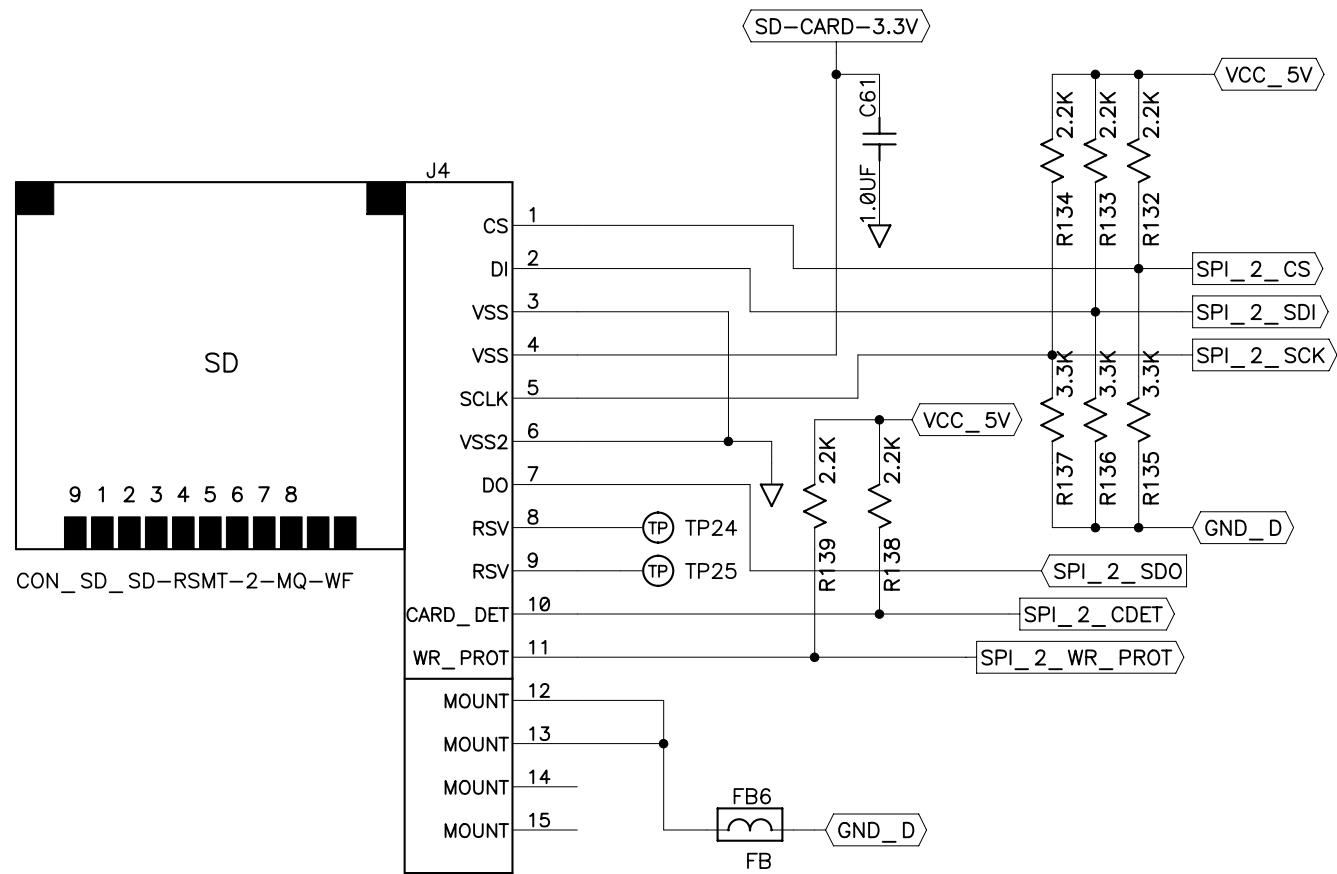
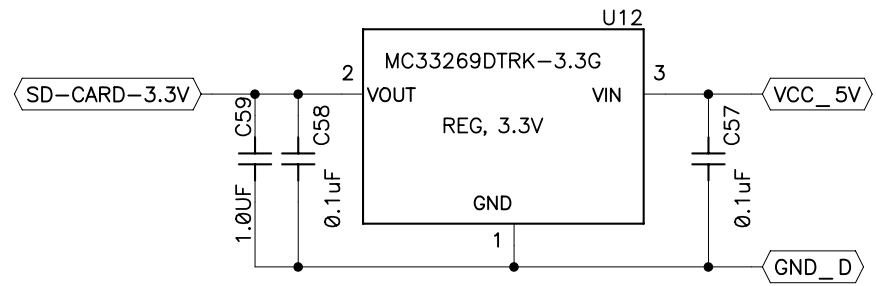
ALL INFORMATION CONTAINED IN OR DISCLOSED BY THIS DOCUMENT IS CONSIDERED PROPRIETARY BY CADX DESIGN, INC. AND IS DELIVERED TO YOU IN CONFIDENCE. ALL DESIGN, MANUFACTURING, USE, PRODUCTION, AND ALL SALES RIGHTS, ARE EXPRESSLY PRESERVED BY AND TO CADX DESIGN, INC. AND COMMUNICATION OF THIS INFORMATION TO OTHERS IS PROHIBITED WITHOUT PRIOR WRITTEN CONSENT OF CADX DESIGN, INC.

SIZE B	DWG. NO. K-COIN-M-TH-1003	REV 3.0
SCALE NONE	DATE Mon Nov 24, 2008	SHEET 5 of 8



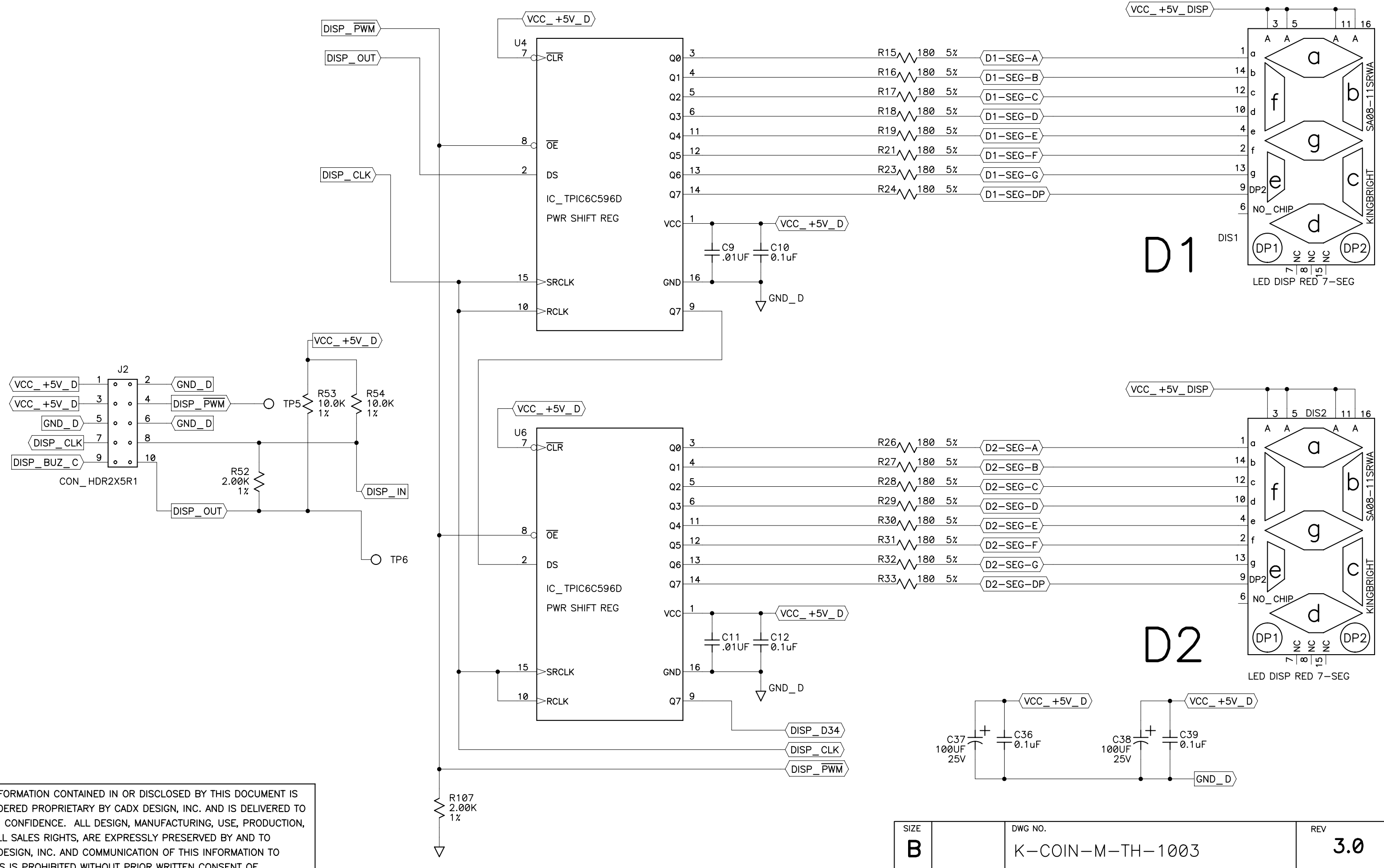
ALL INFORMATION CONTAINED IN OR DISCLOSED BY THIS DOCUMENT IS CONSIDERED PROPRIETARY BY CADX DESIGN, INC. AND IS DELIVERED TO YOU IN CONFIDENCE. ALL DESIGN, MANUFACTURING, USE, PRODUCTION, AND ALL SALES RIGHTS, ARE EXPRESSLY PRESERVED BY AND TO CADX DESIGN, INC. AND COMMUNICATION OF THIS INFORMATION TO OTHERS IS PROHIBITED WITHOUT PRIOR WRITTEN CONSENT OF CADX DESIGN, INC.

SIZE B	DWG NO. K-COIN-M-TH-1003	REV 3.0
SCALE NONE	DATE Mon Nov 24, 2008	SHEET 6 of 8



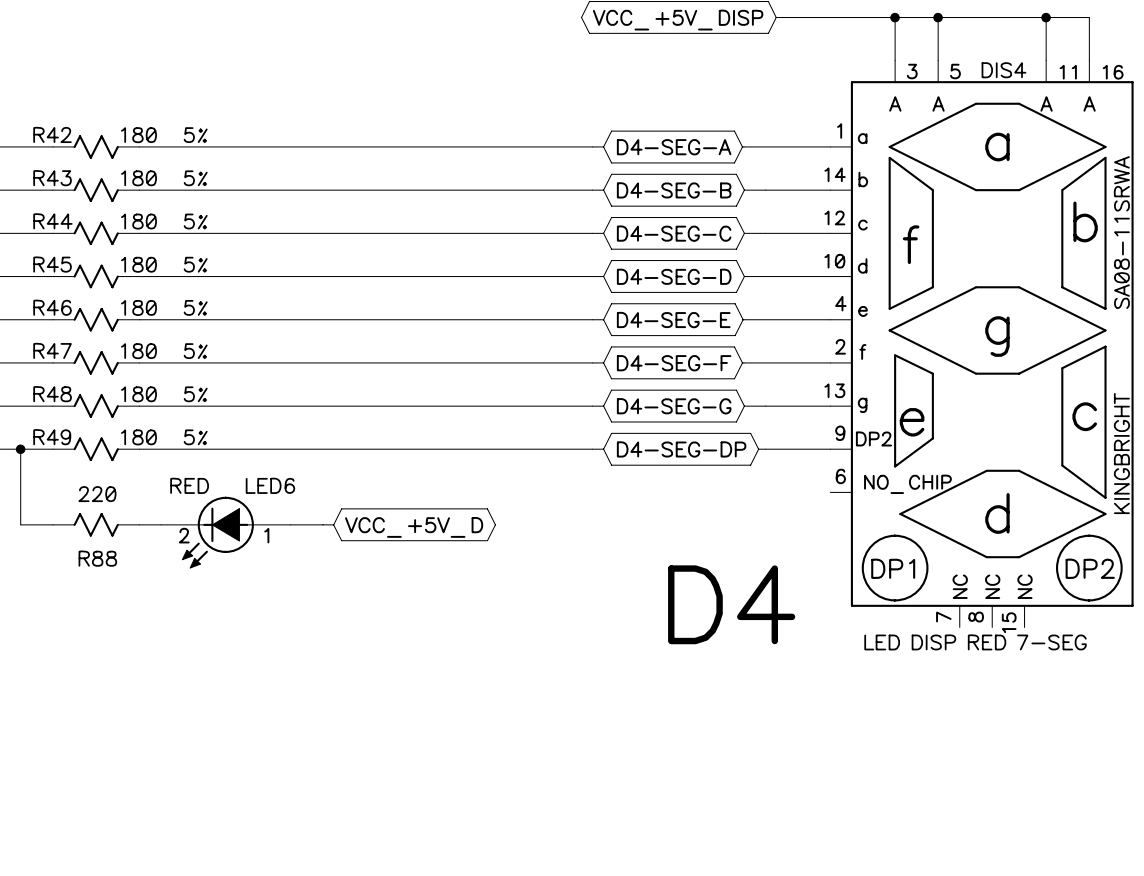
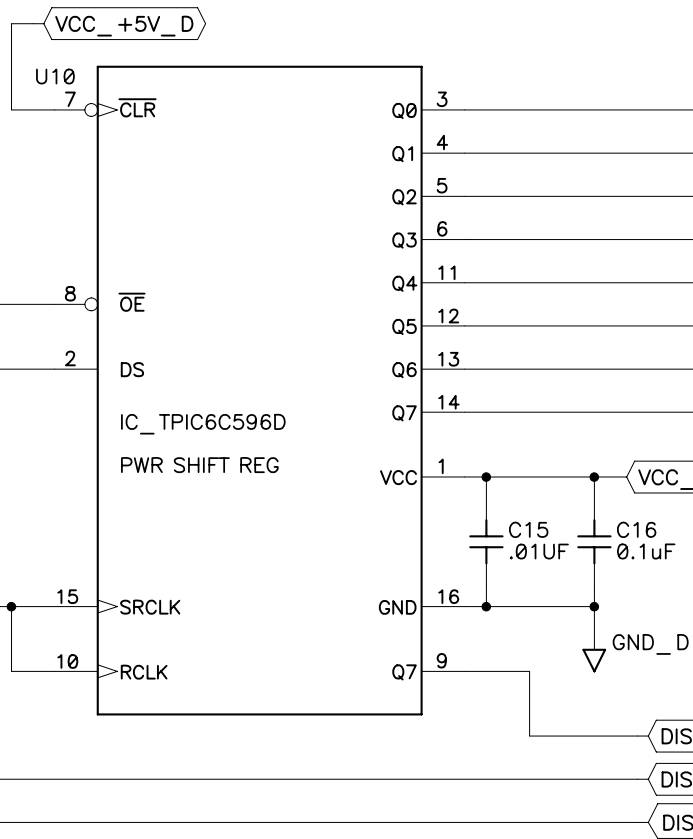
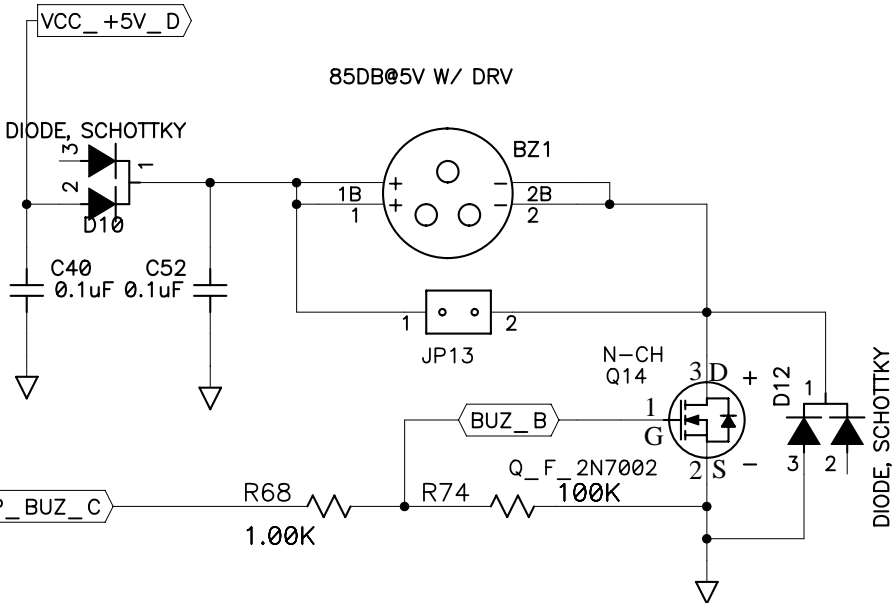
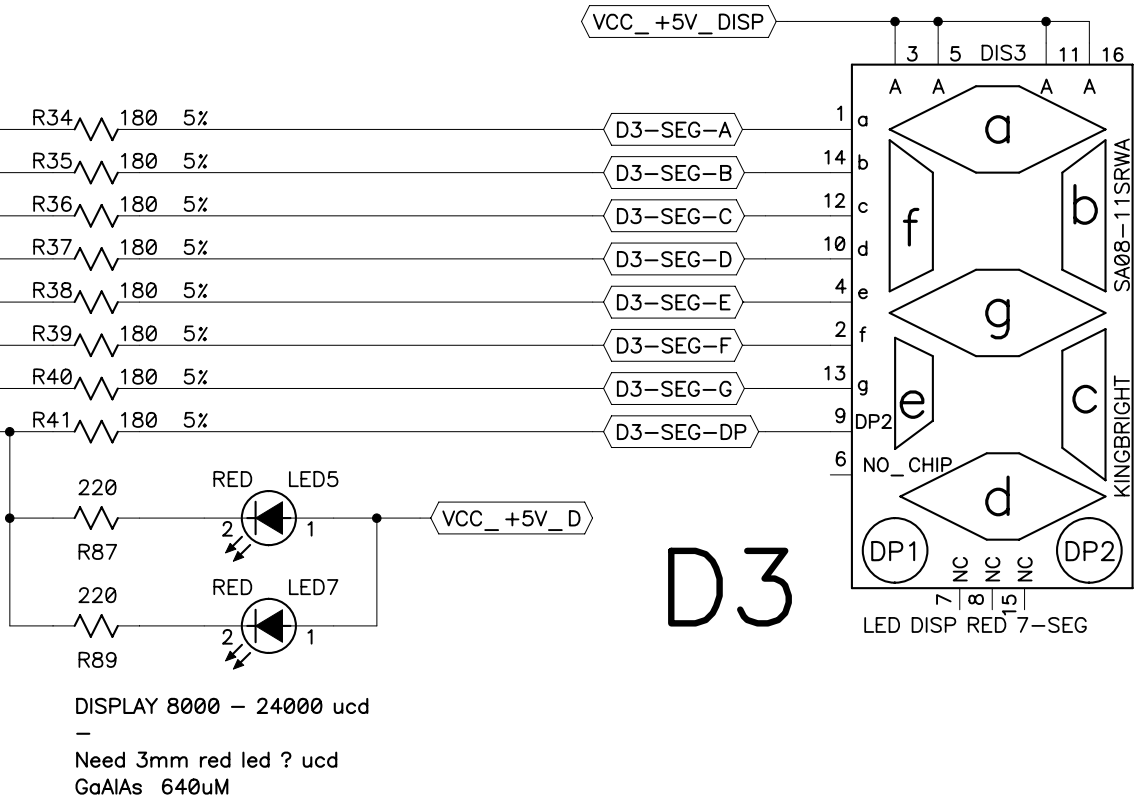
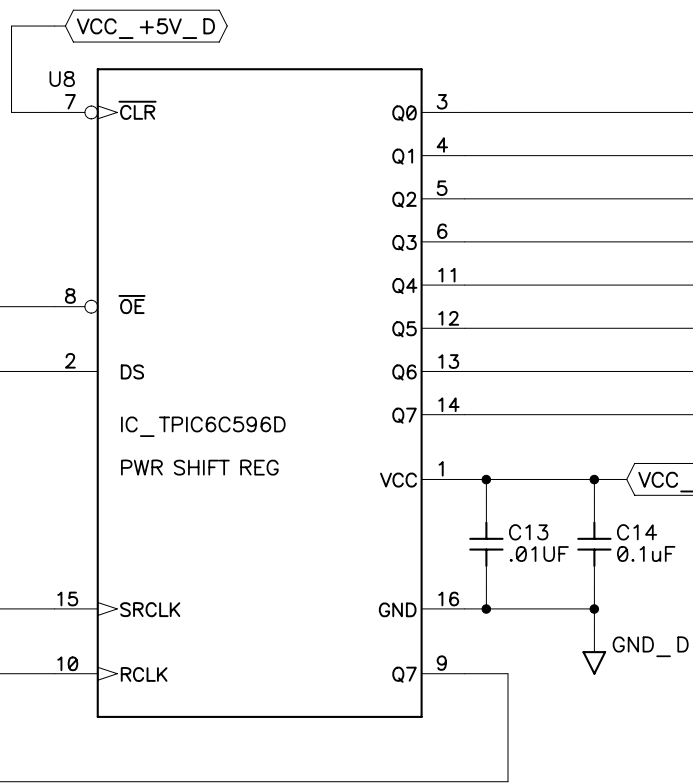
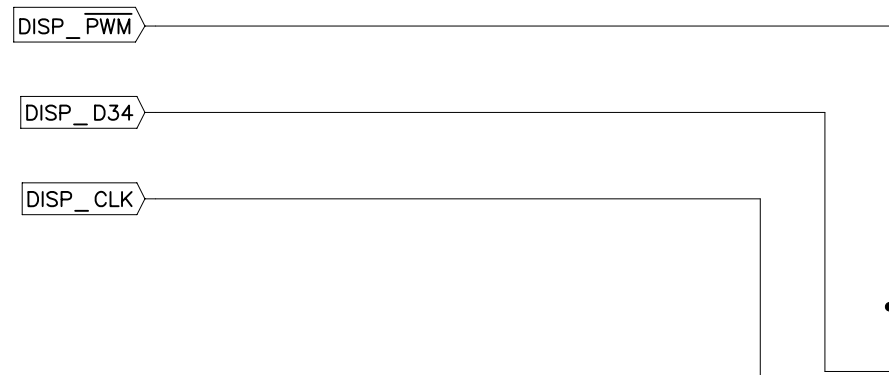
ALL INFORMATION CONTAINED IN OR DISCLOSED BY THIS DOCUMENT IS CONSIDERED PROPRIETARY BY CADX DESIGN, INC. AND IS DELIVERED TO YOU IN CONFIDENCE. ALL DESIGN, MANUFACTURING, USE, PRODUCTION, AND ALL SALES RIGHTS, ARE EXPRESSLY PRESERVED BY AND TO CADX DESIGN, INC. AND COMMUNICATION OF THIS INFORMATION TO OTHERS IS PROHIBITED WITHOUT PRIOR WRITTEN CONSENT OF CADX DESIGN, INC.

SIZE B	DWG. NO. K-COIN-M-TH-1003	REV 3.0
SCALE NONE	DATE Mon Nov 24, 2008	SHEET 7 of 8



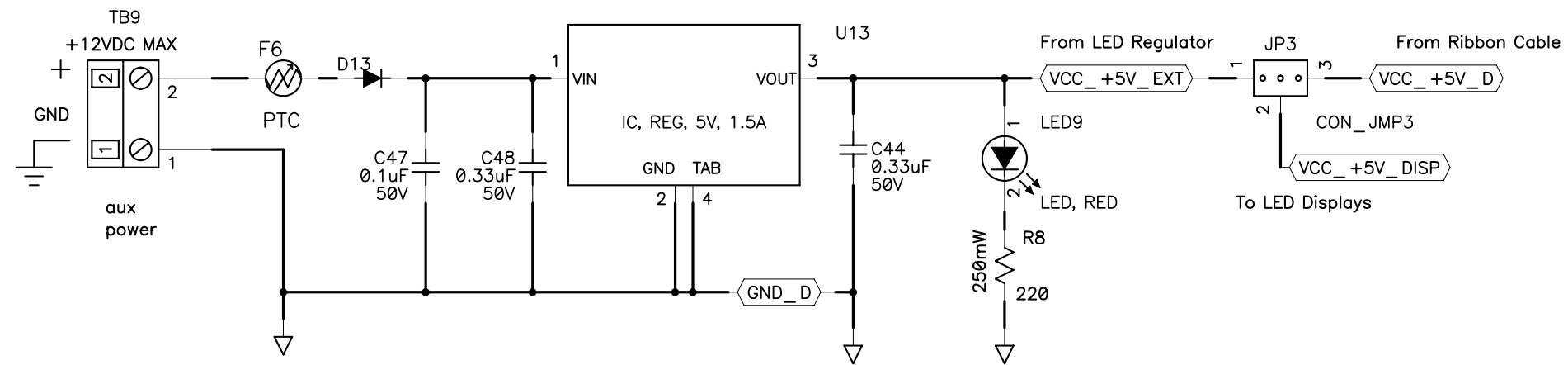
ALL INFORMATION CONTAINED IN OR DISCLOSED BY THIS DOCUMENT IS CONSIDERED PROPRIETARY BY CADX DESIGN, INC. AND IS DELIVERED TO YOU IN CONFIDENCE. ALL DESIGN, MANUFACTURING, USE, PRODUCTION, AND ALL SALES RIGHTS, ARE EXPRESSLY PRESERVED BY AND TO CADX DESIGN, INC. AND COMMUNICATION OF THIS INFORMATION TO OTHERS IS PROHIBITED WITHOUT PRIOR WRITTEN CONSENT OF CADX DESIGN, INC.

SIZE B	DWG NO. K-COIN-M-TH-1003	REV 3.0
SCALE NONE	DATE Mon Nov 24, 2008	SHEET 8 of 8



ALL INFORMATION CONTAINED IN OR DISCLOSED BY THIS DOCUMENT IS CONSIDERED PROPRIETARY BY CADX DESIGN, INC. AND IS DELIVERED TO YOU IN CONFIDENCE. ALL DESIGN, MANUFACTURING, USE, PRODUCTION, AND ALL SALES RIGHTS, ARE EXPRESSLY PRESERVED BY AND TO CADX DESIGN, INC. AND COMMUNICATION OF THIS INFORMATION TO OTHERS IS PROHIBITED WITHOUT PRIOR WRITTEN CONSENT OF CADX DESIGN, INC.

SIZE B	DWG NO. K-COIN-M-TH-1003	REV 3.0
SCALE NONE	DATE Mon Nov 24, 2008	SHEET 9 of 8



ALL INFORMATION CONTAINED IN OR DISCLOSED BY THIS DOCUMENT IS CONSIDERED PROPRIETARY BY CADX DESIGN, INC. AND IS DELIVERED TO YOU IN CONFIDENCE. ALL DESIGN, MANUFACTURING, USE, PRODUCTION, AND ALL SALES RIGHTS, ARE EXPRESSLY PRESERVED BY AND TO CADX DESIGN, INC. AND COMMUNICATION OF THIS INFORMATION TO OTHERS IS PROHIBITED WITHOUT PRIOR WRITTEN CONSENT OF CADX DESIGN, INC.

SIZE B	DWG NO. K-COIN-M-TH-1003	REV 3.0
SCALE NONE	DATE Mon Nov 24, 2008	SHEET 10 of 8