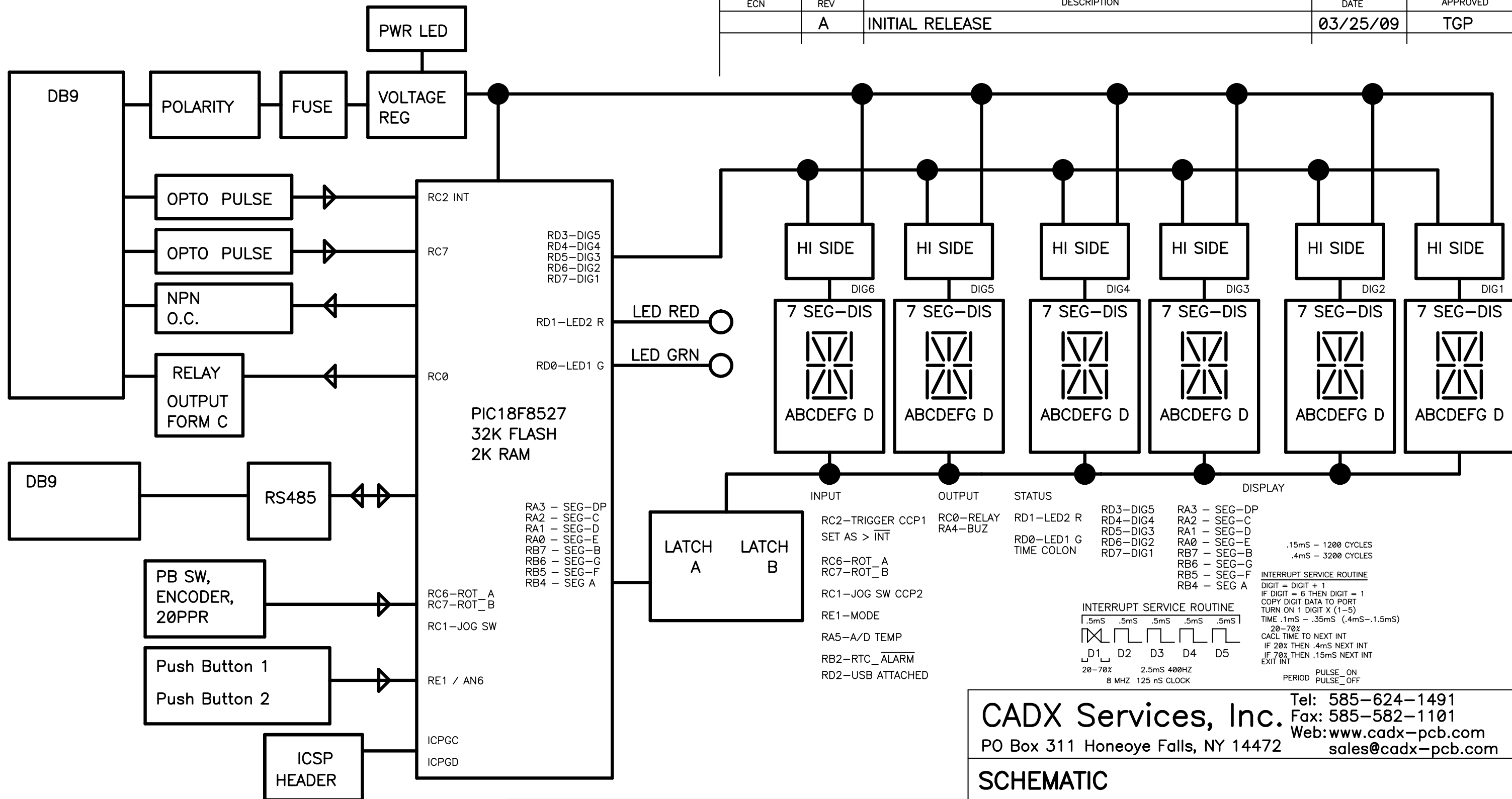


REVISIONS

ECN	REV	DESCRIPTION	DATE	APPROVED
	A	INITIAL RELEASE	03/25/09	TGP



INTERRUPT SERVICE ROUTINE
 .15mS - 1200 CYCLES
 .4mS - 3200 CYCLES
 INTERRUPT SERVICE ROUTINE
 DIGIT = DIGIT + 1
 IF DIGIT = 6 THEN DIGIT = 1
 COPY DIGIT DATA TO PORT
 TURN ON 1 DIGIT X (1-5)
 TIME .1mS - .35mS (.4mS-.1.5mS)
 20-70%
 CACL TIME TO NEXT INT
 IF 20% THEN .4mS NEXT INT
 IF 70% THEN .15mS NEXT INT
 EXIT INT
 PERIOD PULSE_ON
 PULSE_OFF

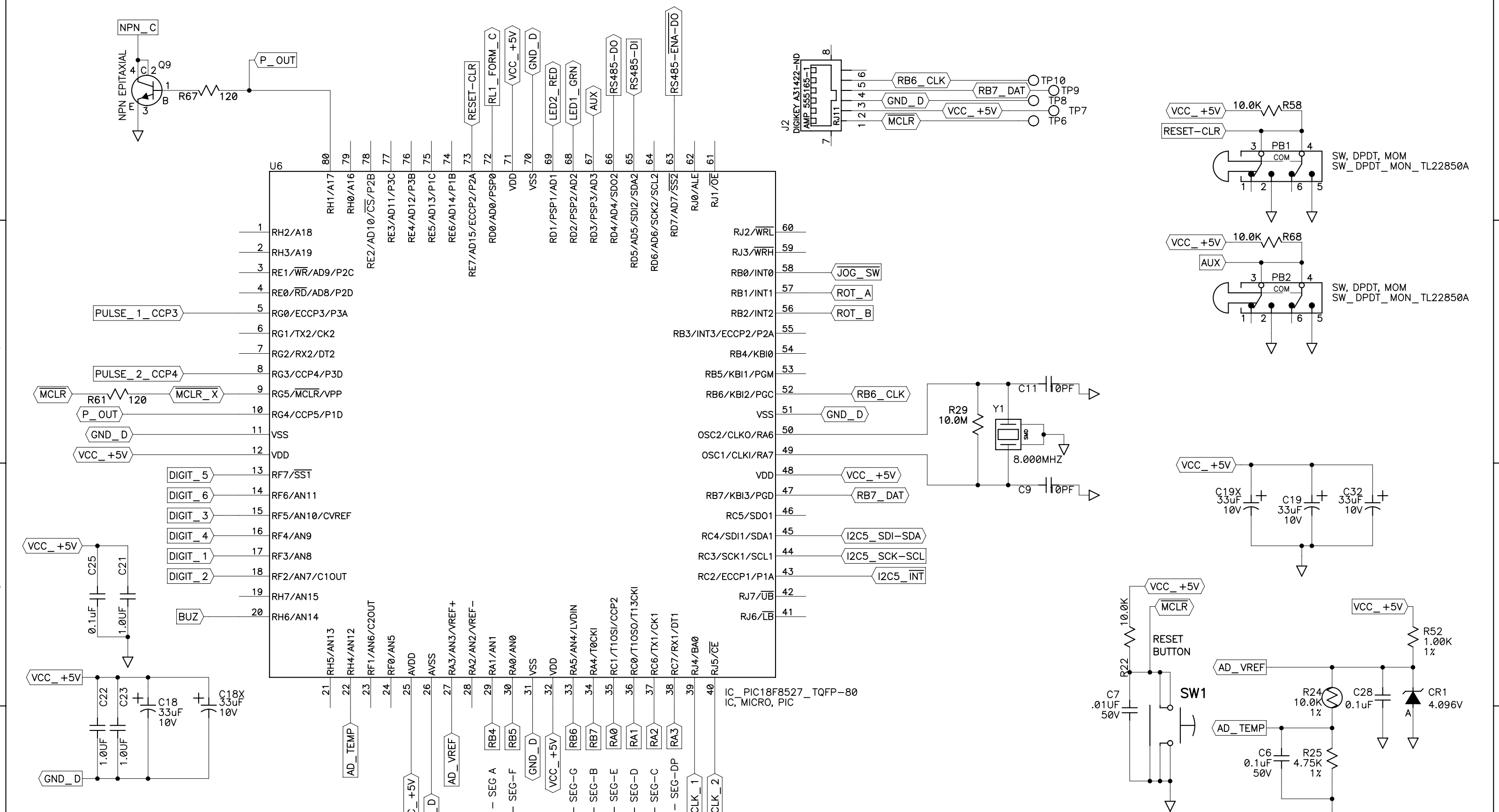
CADX Services, Inc. Tel: 585-624-1491
 Fax: 585-582-1101
 PO Box 311 Honeoye Falls, NY 14472 Web: www.cadx-pcb.com
 sales@cadx-pcb.com

**SCHEMATIC
 COUNTER, DISPLAY, 6 ALPHA, RS485**

ALL INFORMATION CONTAINED IN OR DISCLOSED BY THIS DOCUMENT IS CONSIDERED PROPRIETARY BY CADX SERVICES, INC. AND IS DELIVERED TO YOU IN CONFIDENCE. ALL DESIGN, MANUFACTURING, USE, PRODUCTION, AND ALL SALES RIGHTS, ARE EXPRESSLY PRESERVED BY AND TO CADX SERVICES, INC. AND COMMUNICATION OF THIS INFORMATION TO OTHERS IS PROHIBITED WITHOUT PRIOR WRITTEN CONSENT OF CADX SERVICES, INC.

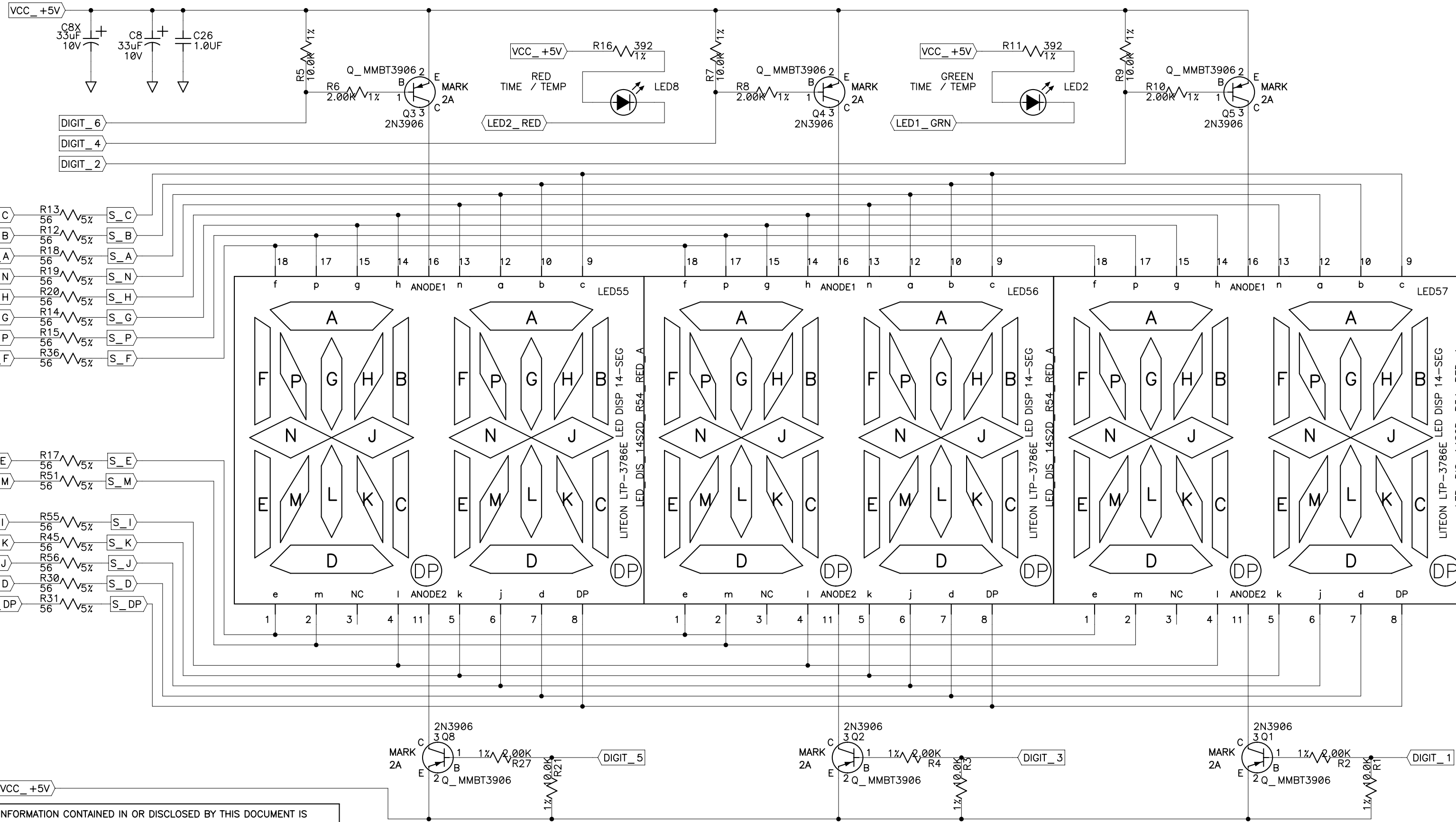
DRAWN			
CHECKED	N/A		
ENG APVD	N/A		
QA APVD	N/A		
MFG APVD	N/A		
DOC CONT	N/A		
RELEASE	N/A		
DIMENSIONS ARE IN INCHES DIMENSIONS PER ANSI Y14.5 UNLESS SPECIFIED			
DO NOT SCALE DRAWING			
MATERIAL			
FINISH			
X .1	.001-.063 DIA. +/- .003		
XX .02	.064-.188 DIA. +.004 -.003		
XXX .001	.189 AND OVER +/- .005		
ANGLES 2 DEG.			

SCHEMATIC	KS-COUNTER-6A-RL-RS485-000B	REV. B	PCB	KF-COUNTER-6A-RL-RS485-000B	REV. B
PRODUCT	KA-COUNTER-6A-RL-RS485-000B	REV. B	GERBERS	KF-COUNTER-6A-RL-RS485-000B	REV. B
SIZE	B	DWG NO.	KS-COUNTER-6A-RL-RS485-000B	REV	B
SCALE	NONE	DATE	Fri Apr 10, 2009	SHEET	1 of 5



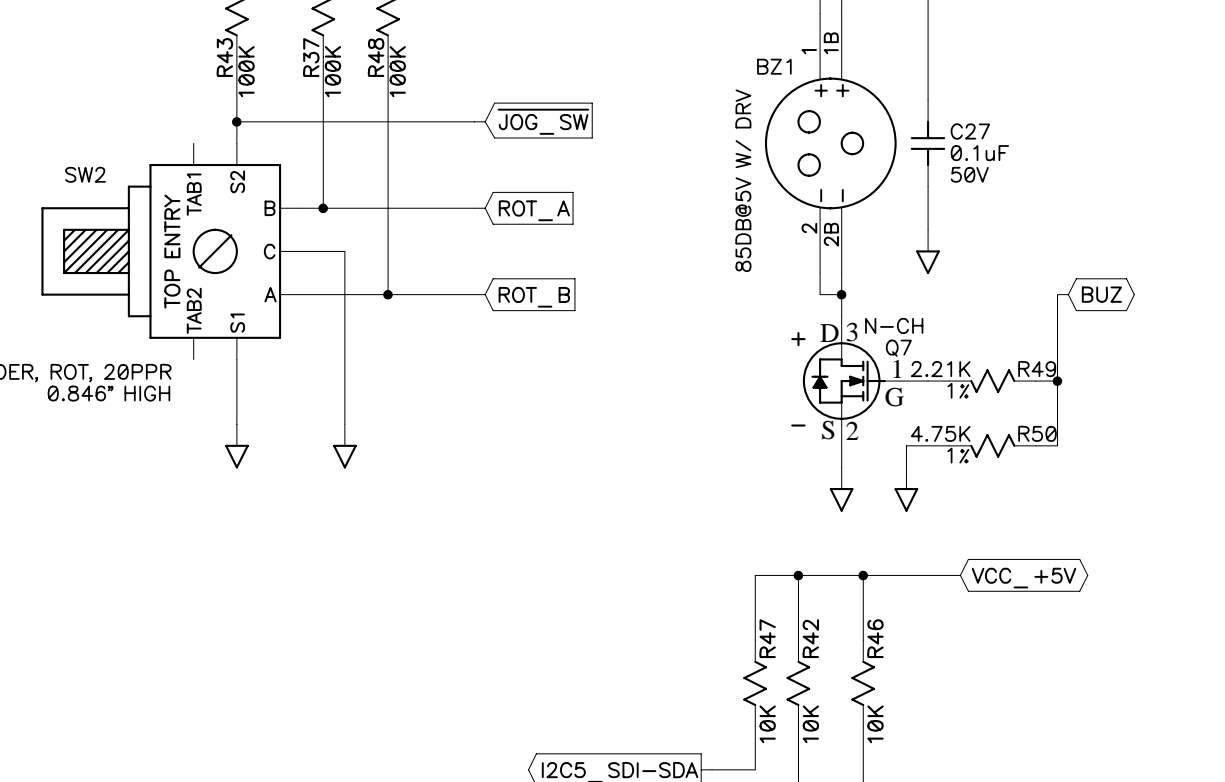
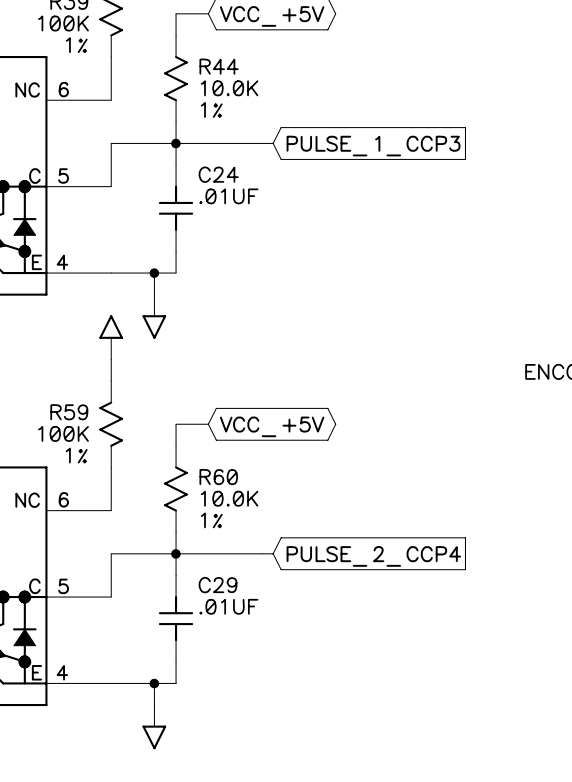
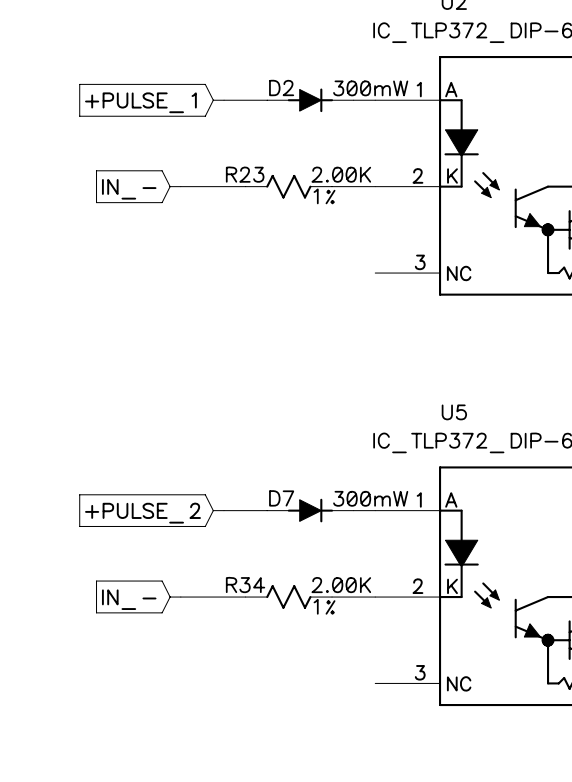
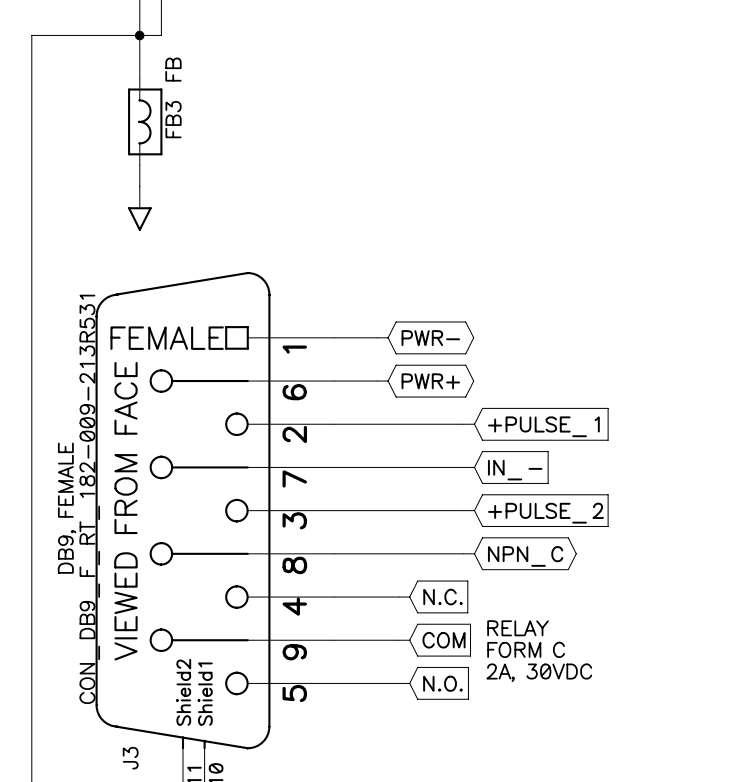
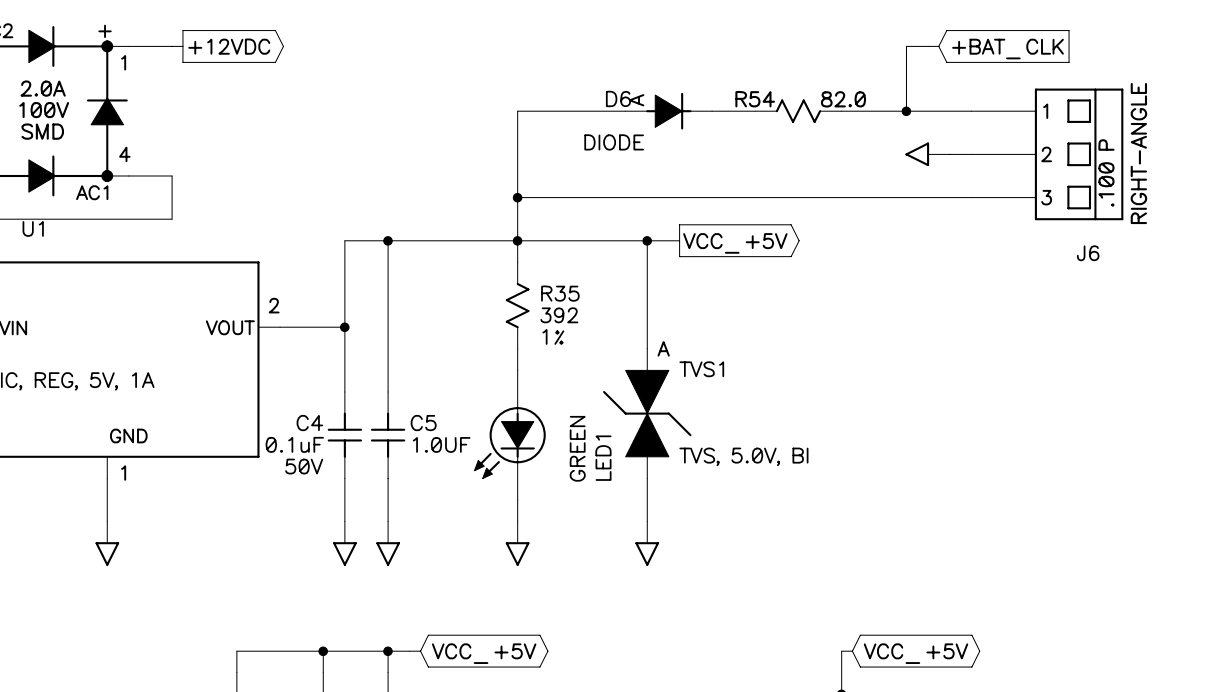
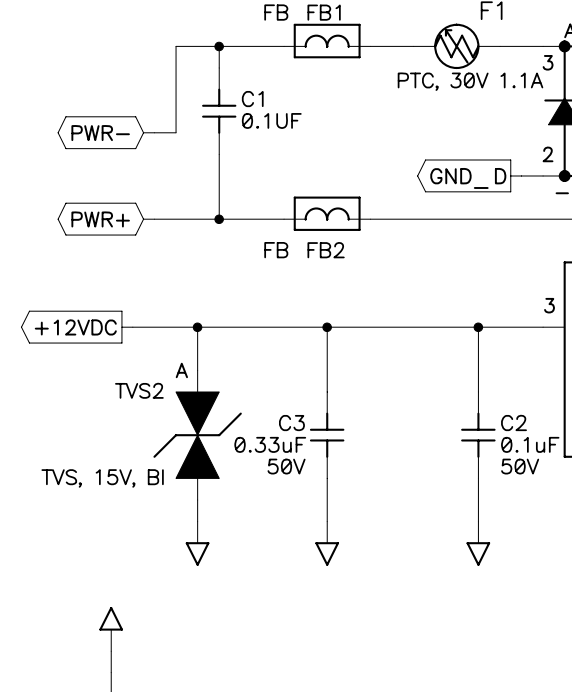
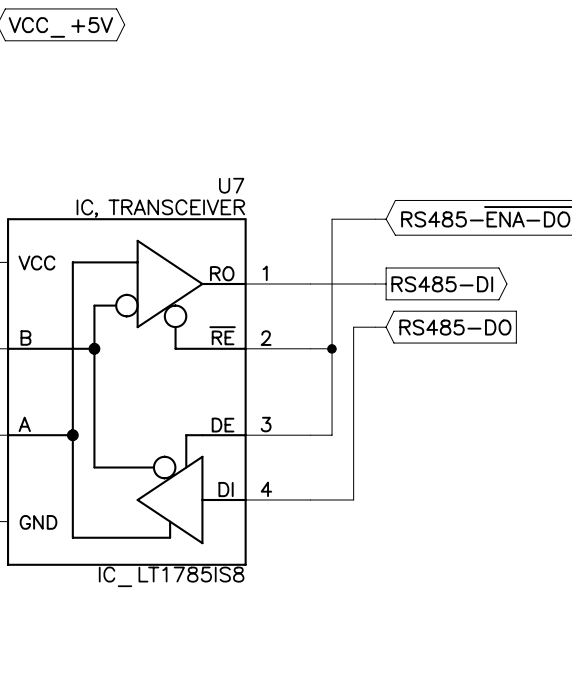
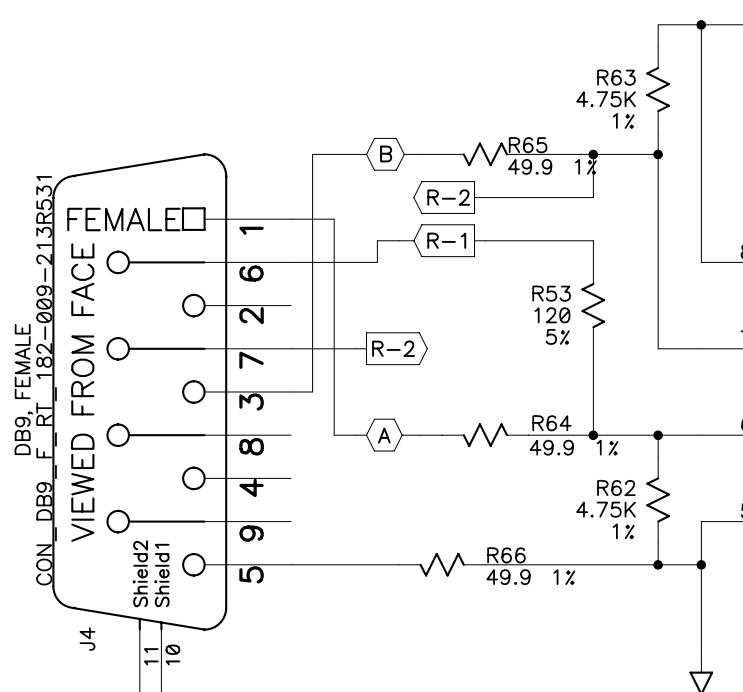
ALL INFORMATION CONTAINED IN OR DISCLOSED BY THIS DOCUMENT IS CONSIDERED PROPRIETARY BY CADX SERVICES, INC. AND IS DELIVERED TO YOU IN CONFIDENCE. ALL DESIGN, MANUFACTURING, USE, PRODUCTION, AND ALL SALES RIGHTS, ARE EXPRESSLY PRESERVED BY AND TO CADX SERVICES, INC. AND COMMUNICATION OF THIS INFORMATION TO OTHERS IS PROHIBITED WITHOUT PRIOR WRITTEN CONSENT OF CADX SERVICES, INC.

SIZE B	DWG. NO. KS-COUNTER-6A-RL-RS485-000B	REV B
SCALE NONE	DATE Fri Apr 10, 2009	SHEET 2 of 5

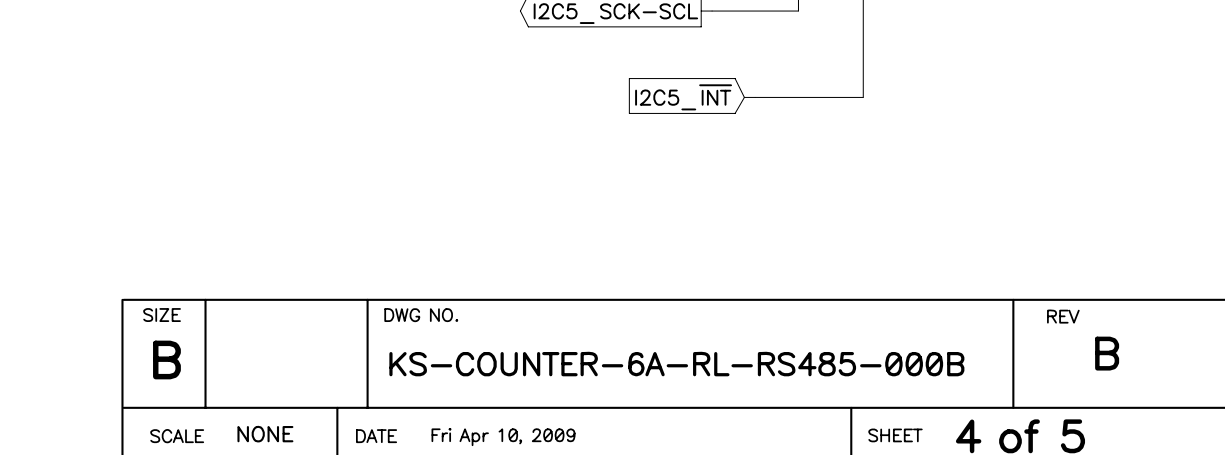
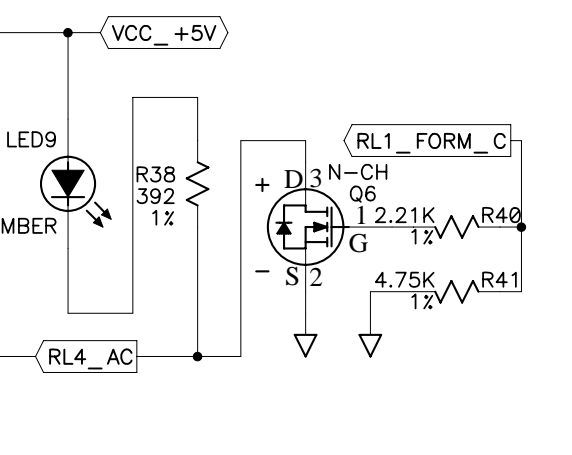
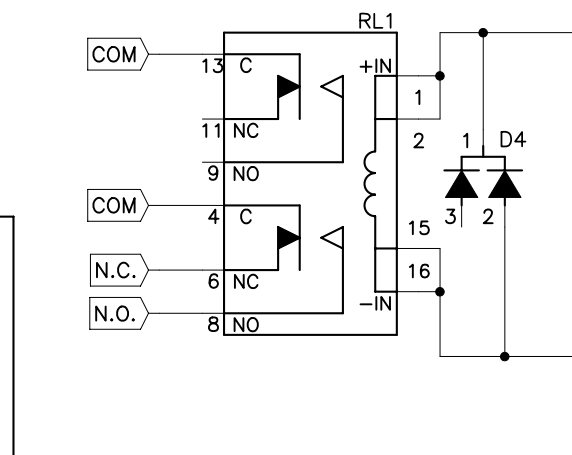


ALL INFORMATION CONTAINED IN OR DISCLOSED BY THIS DOCUMENT IS CONSIDERED PROPRIETARY BY CADX SERVICES, INC. AND IS DELIVERED TO YOU IN CONFIDENCE. ALL DESIGN, MANUFACTURING, USE, PRODUCTION, AND ALL SALES RIGHTS, ARE EXPRESSLY PRESERVED BY AND TO CADX SERVICES, INC. AND COMMUNICATION OF THIS INFORMATION TO OTHERS IS PROHIBITED WITHOUT PRIOR WRITTEN CONSENT OF CADX SERVICES, INC.

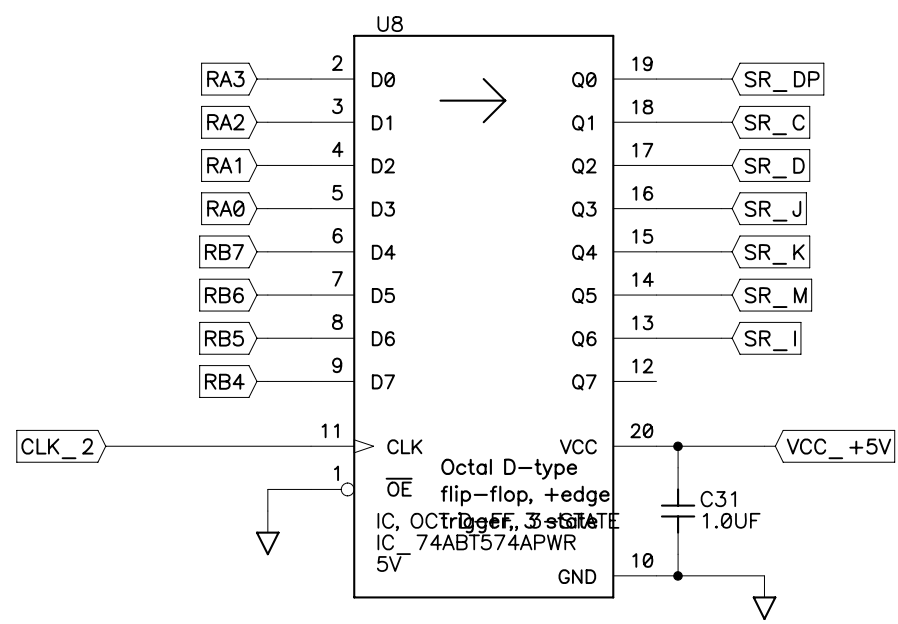
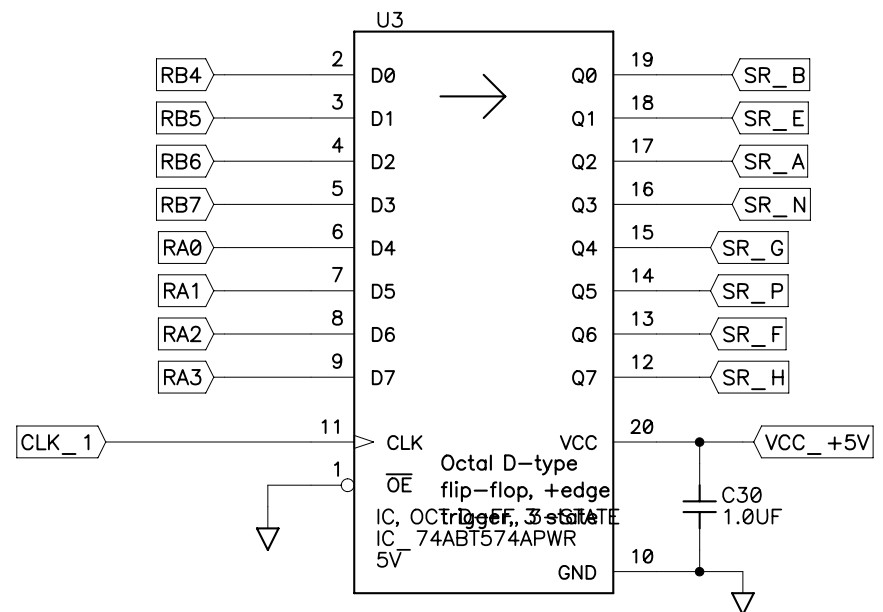
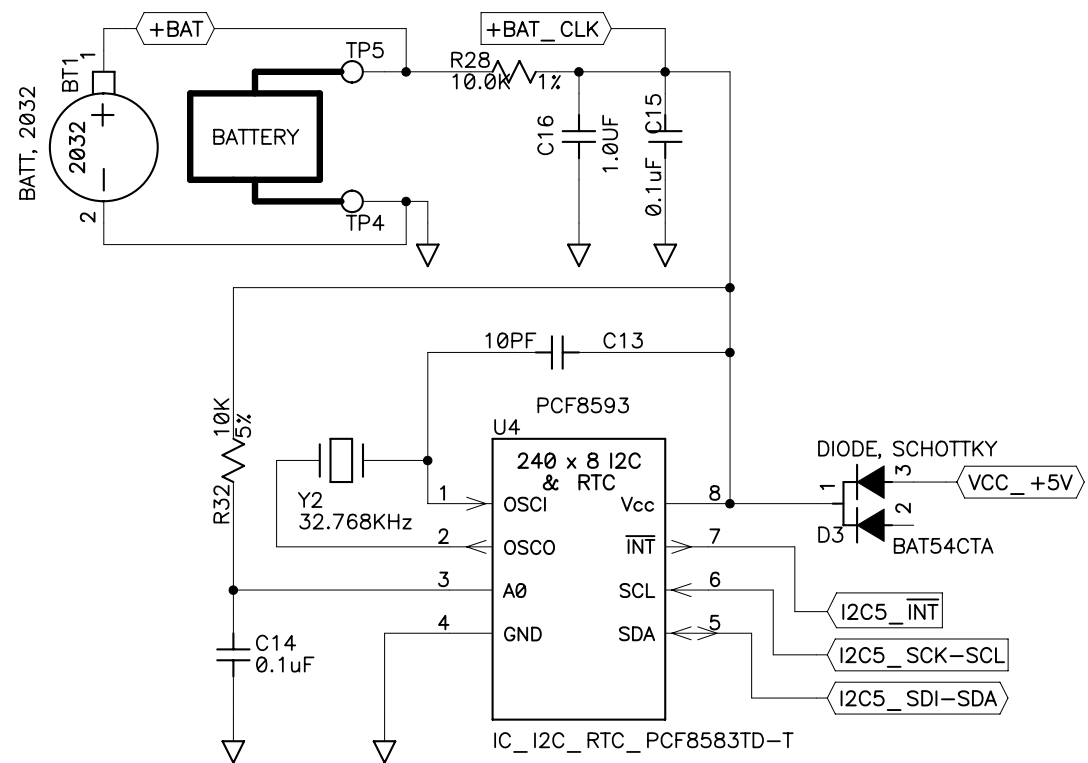
SIZE B	DWG. NO. KS-COUNTER-6A-RL-RS485-000B	REV B
SCALE NONE	DATE Fri Apr 10, 2009	SHEET 3 of 5



ALL INFORMATION CONTAINED IN OR DISCLOSED BY THIS DOCUMENT IS CONSIDERED PROPRIETARY BY CADX SERVICES, INC. AND IS DELIVERED TO YOU IN CONFIDENCE. ALL DESIGN, MANUFACTURING, USE, PRODUCTION, AND ALL SALES RIGHTS, ARE EXPRESSLY PRESERVED BY AND TO CADX SERVICES, INC. AND COMMUNICATION OF THIS INFORMATION TO OTHERS IS PROHIBITED WITHOUT PRIOR WRITTEN CONSENT OF CADX SERVICES, INC.



SIZE B	DWG. NO. KS-COUNTER-6A-RL-RS485-000B	REV B
SCALE NONE	DATE Fri Apr 10, 2009	SHEET 4 of 5



ALL INFORMATION CONTAINED IN OR DISCLOSED BY THIS DOCUMENT IS CONSIDERED PROPRIETARY BY CADX SERVICES, INC. AND IS DELIVERED TO YOU IN CONFIDENCE. ALL DESIGN, MANUFACTURING, USE, PRODUCTION, AND ALL SALES RIGHTS, ARE EXPRESSLY PRESERVED BY AND TO CADX SERVICES, INC. AND COMMUNICATION OF THIS INFORMATION TO OTHERS IS PROHIBITED WITHOUT PRIOR WRITTEN CONSENT OF CADX SERVICES, INC.

SIZE B	DWG NO. KS-COUNTER-6A-RL-RS485-000B	REV B
SCALE NONE	DATE Fri Apr 10, 2009	SHEET 5 of 5