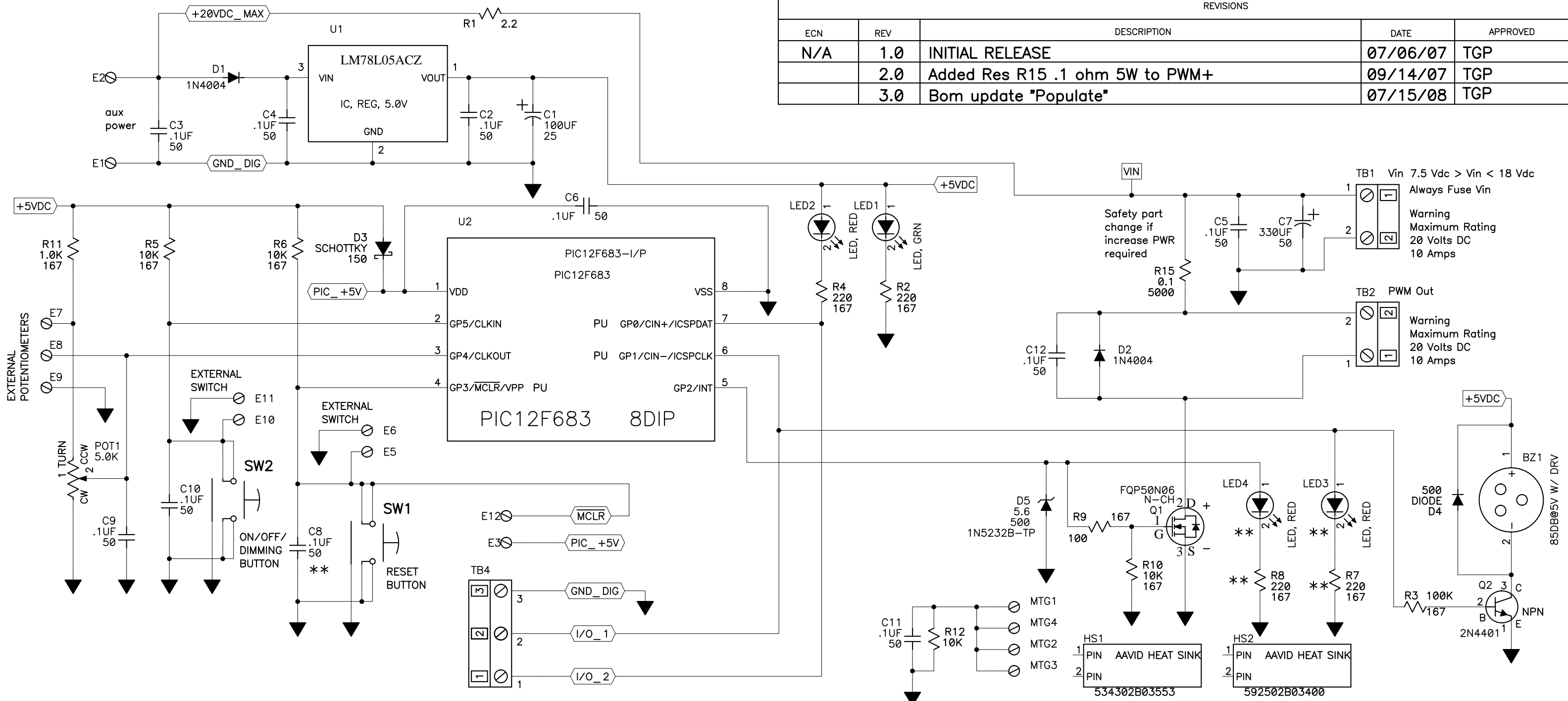


REVISIONS

ECN	REV	DESCRIPTION	DATE	APPROVED
N/A	1.0	INITIAL RELEASE	07/06/07	TGP
	2.0	Added Res R15 .1 ohm 5W to PWM+	09/14/07	TGP
	3.0	Bom update "Populate"	07/15/08	TGP



Danger statements are a description of an imminent hazards that will result in death or serious injury if not avoided and should be limited to the most extreme situations.
 Danger: Description of imminently hazard and possible resulting injures

Warning statements are a description of a potentially hazardous situation which if not avoided could result in death or serious injury.
 Warning: Description of hazard and possible resulting injures.

Caution statements are a description of a potentially hazardous situation which if not avoided could result in minor or moderate injury. It could also advise against unsafe practices
 Caution: Description of hazard and possible resulting injures

ALL INFORMATION CONTAINED IN OR DISCLOSED BY THIS DOCUMENT IS CONSIDERED PROPRIETARY BY CADX SERVICES, INC. AND IS DELIVERED TO YOU IN CONFIDENCE. ALL DESIGN, MANUFACTURING, USE, PRODUCTION, AND ALL SALES RIGHTS, ARE EXPRESSLY PRESERVED BY AND TO CADX SERVICES, INC. AND COMMUNICATION OF THIS INFORMATION TO OTHERS IS PROHIBITED WITHOUT PRIOR WRITTEN CONSENT OF CADX SERVICES, INC.

DRAWN	CADX Services
CHECKED	N/A
ENG APVD	N/A
QA APVD	N/A
MFG APVD	N/A
DOC CONT	N/A
RELEASE	N/A
DIMENSIONS ARE IN INCHES DIMENSIONS PER ANSI Y14.5 UNLESS SPECIFIED	
DO NOT SCALE DRAWING	
MATERIAL	
FINISH	
X .1	.001-.063 DIA. +/- .003
XX .02	.064-.188 DIA. +.004 -.003
XXX .001	.189 AND OVER +/- .005
ANGLES 2 DEG.	

CADX Services, Inc. Tel: 585-624-1491 Fax: 585-582-1101
 PO Box 311 Honeoye Falls, NY 14472 Web: www.cadx-pcb.com sales@cadx-pcb.com

SCHEMATIC
PWM, DRIVE, 200W, TH

SCHMATIC	KS-PWM-200W-M-TH-1001 REV. 3.0	PCB	KF-PWM-200W-M-TH-1001 REV. 3.0
PRODUCT	KA-PWM-200W-M-TH-1001 REV. 3.0	GERBERS	KF-PWM-200W-M-TH-1001 REV. 3.0
SIZE	B	DWG NO.	KS-PWM-200W-M-TH-1001
REV	3.0	SCALE	NONE
DATE	Tue Oct 11, 2011	SHEET	1 of 1