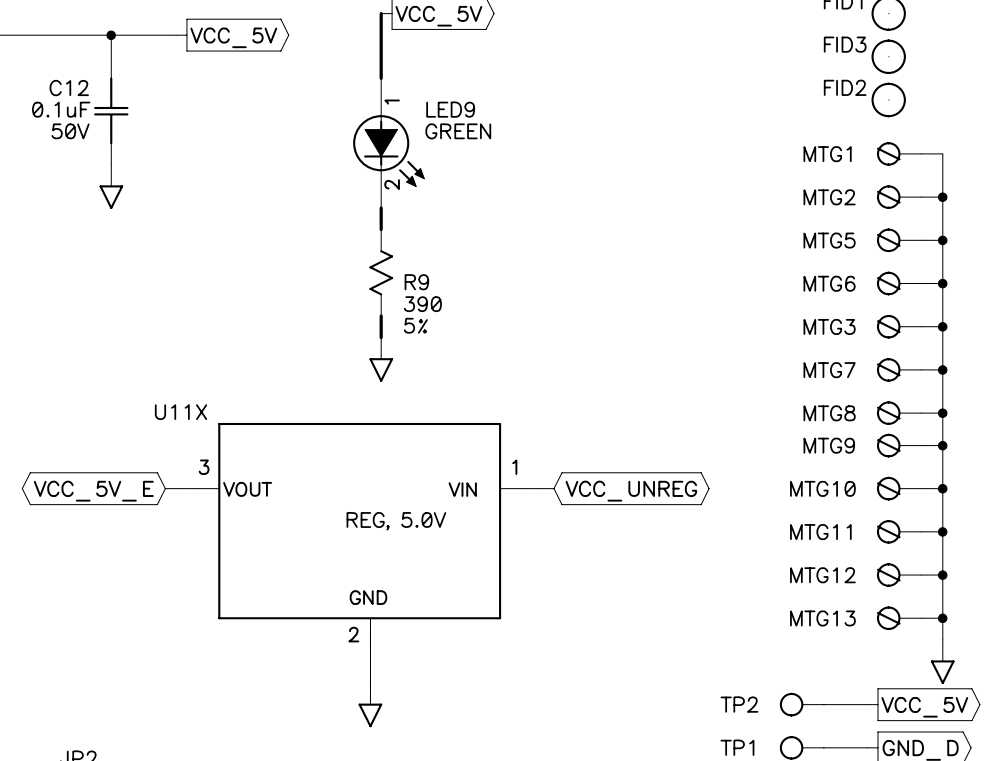
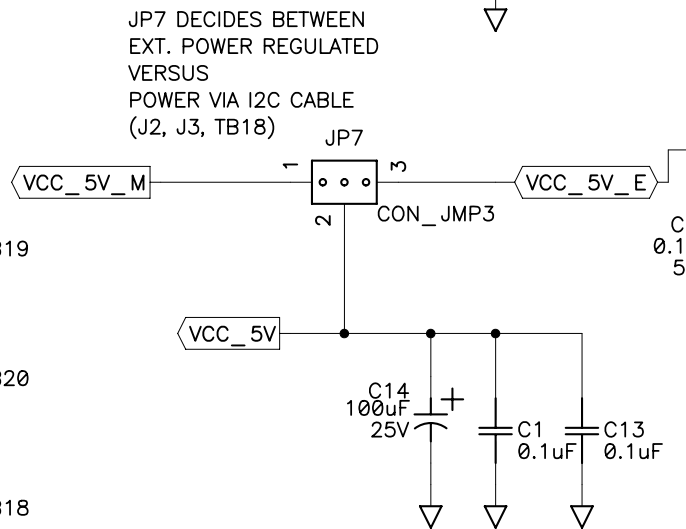
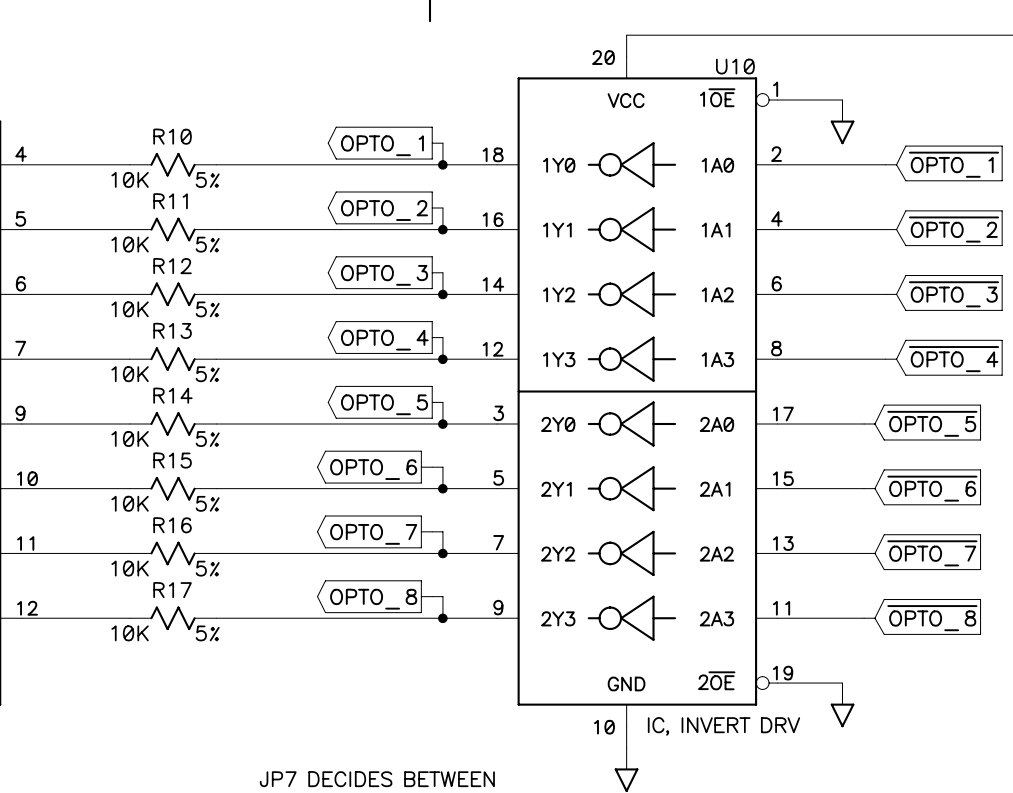
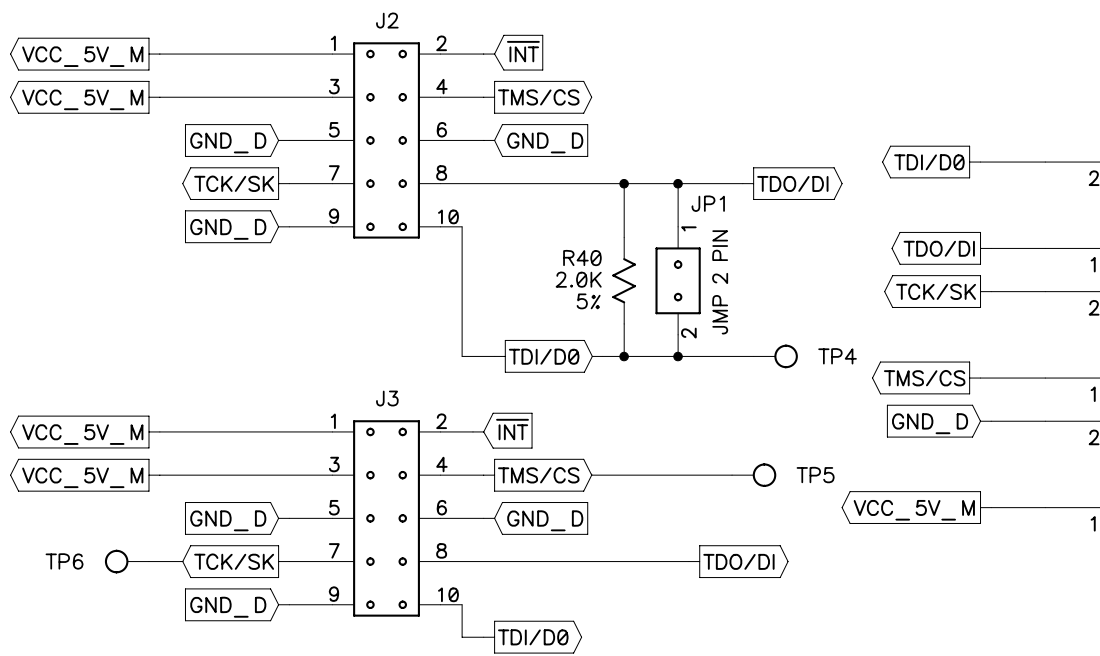
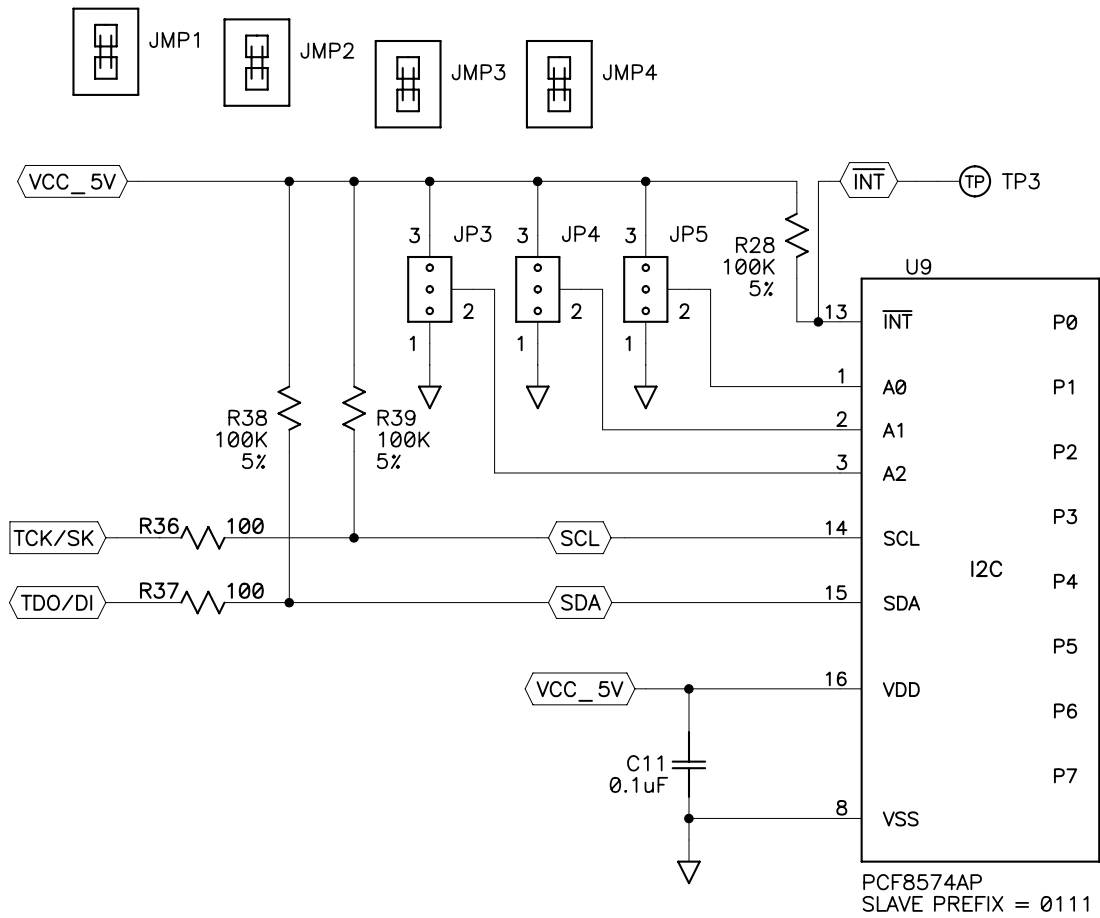


REVISIONS

ECN	REV	DESCRIPTION	DATE	APPROVED
	A	INITIAL RELEASE	08/11/08	TGP
B C		ADDED OPTO TEST JUMPERS / MTG / / SILK SCREEN		



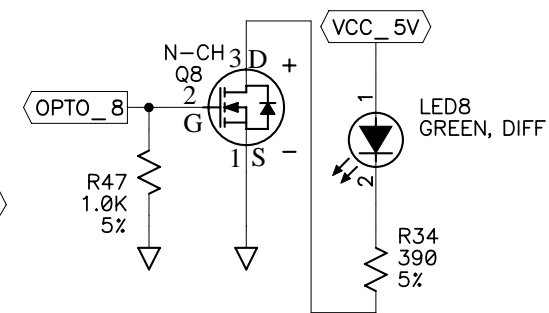
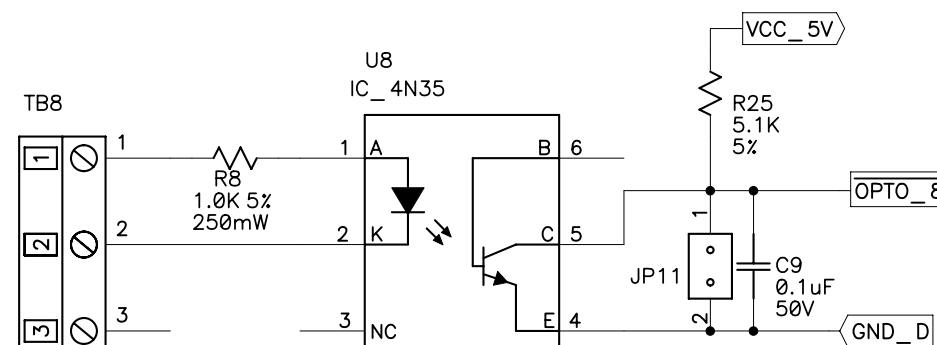
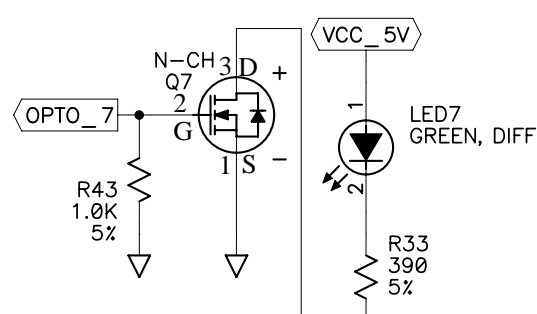
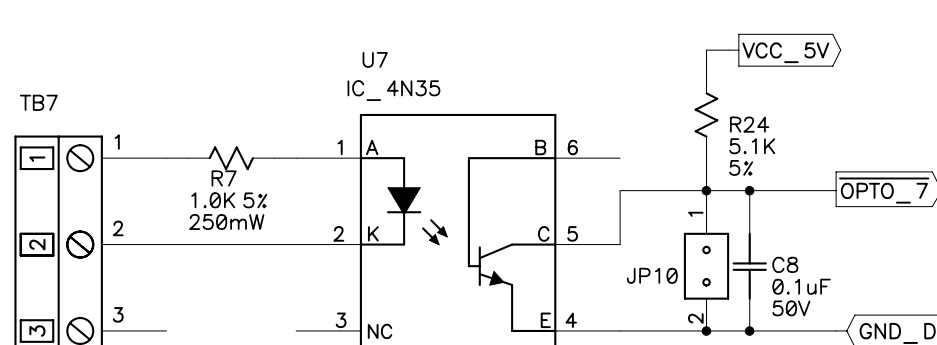
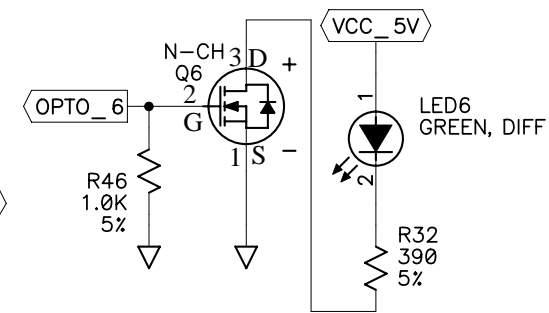
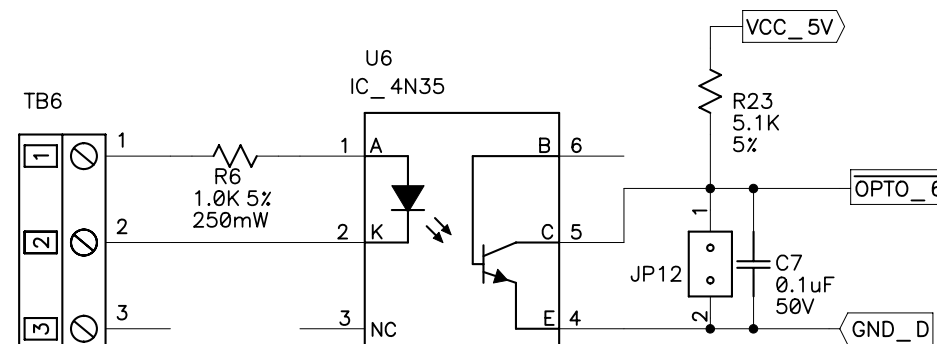
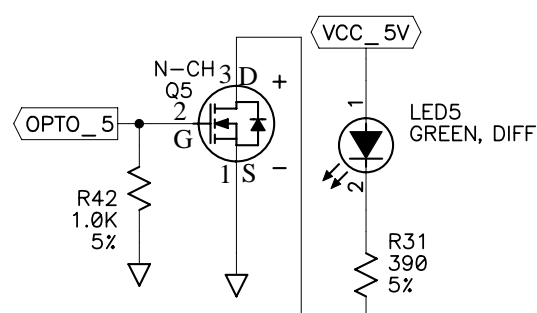
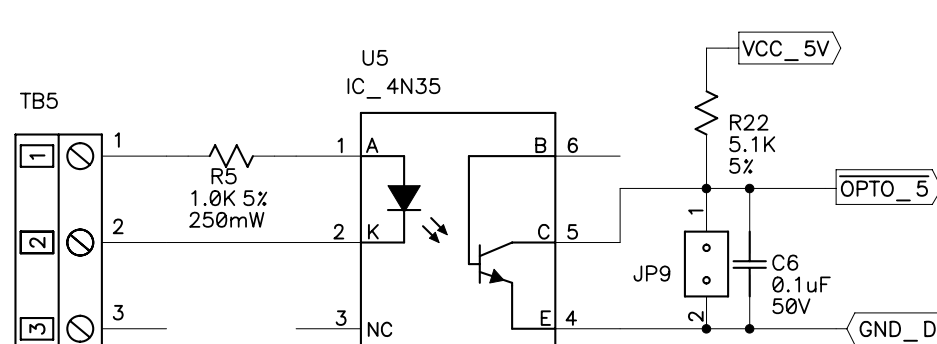
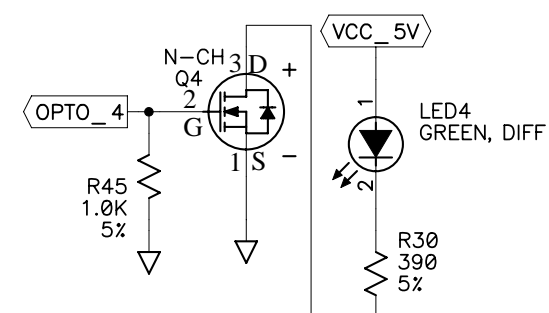
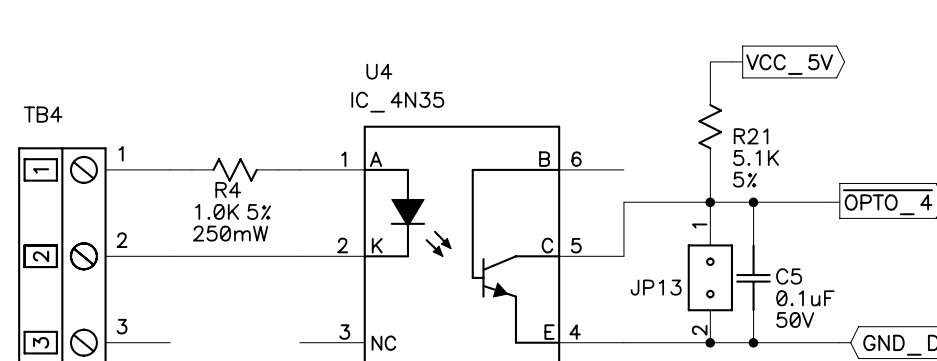
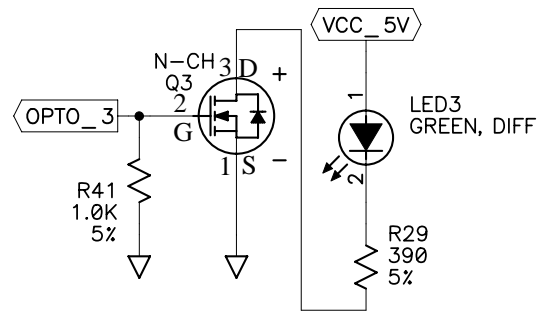
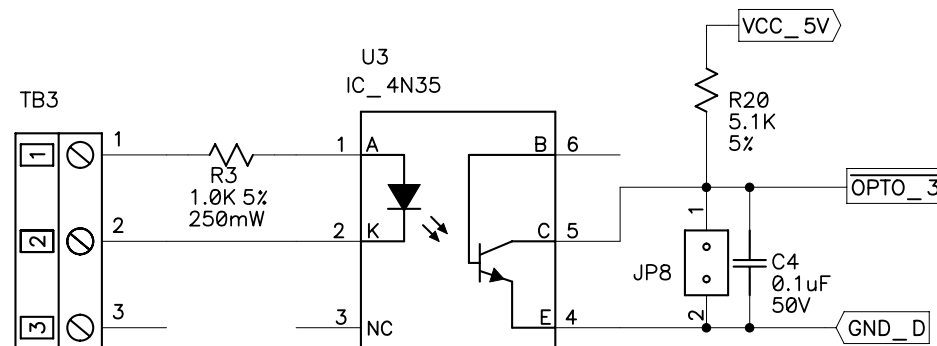
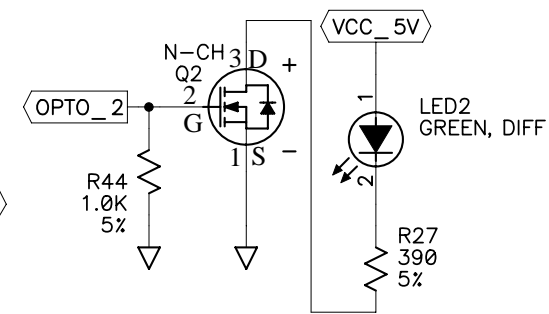
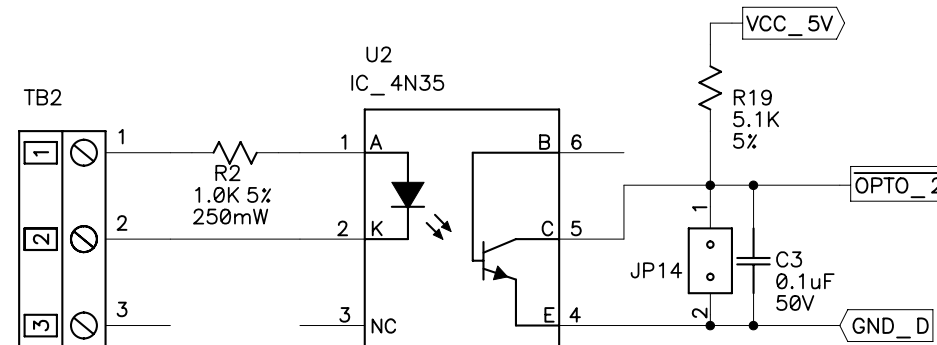
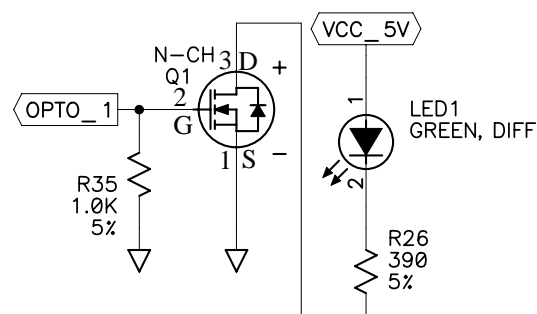
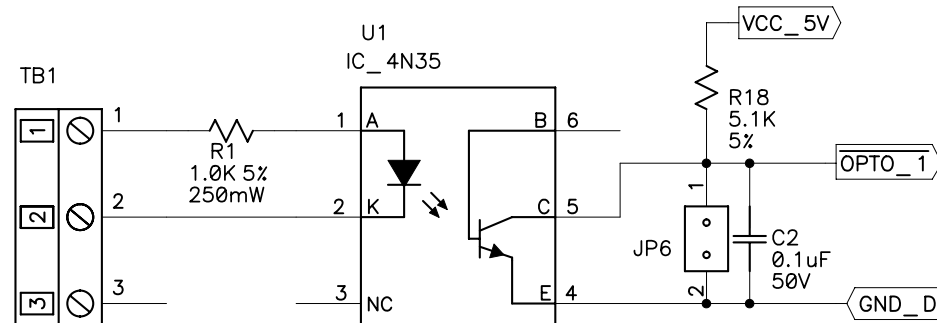
CADX Services, Inc. Tel: 585-624-1491
 Fax: 585-582-1101
 PO Box 311 Honeoye Falls, NY 14472 Web: www.cadx-pcb.com
 sales@cadx-pcb.com

SCHEMATIC
I2C, 8 OPTO W/ INDICATORS

ALL INFORMATION CONTAINED IN OR DISCLOSED BY THIS DOCUMENT IS CONSIDERED PROPRIETARY BY CADX SERVICES, INC. AND IS DELIVERED TO YOU IN CONFIDENCE. ALL DESIGN, MANUFACTURING, USE, PRODUCTION, AND ALL SALES RIGHTS, ARE EXPRESSLY PRESERVED BY AND TO CADX SERVICES, INC. AND COMMUNICATION OF THIS INFORMATION TO OTHERS IS PROHIBITED WITHOUT PRIOR WRITTEN CONSENT OF CADX SERVICES, INC.

DRAWN	
CHECKED	N/A
ENG APVD	N/A
QA	N/A
MFG APVD	N/A
DOC CONT	N/A
RELEASE	N/A
DIMENSIONS ARE IN INCHES DIMENSIONS PER ANSI Y14.5 UNLESS SPECIFIED	
DO NOT SCALE DRAWING	
MATERIAL	
FINISH	
X .1	.001-.063 DIA. +/- .003
XX .02	.064-.188 DIA. +.004 -.003
XXX .001	.189 AND OVER +/- .005
ANGLES 2 DEG.	

SCHEMATIC	KS-I2C-8-OPTO-TH-000C	REV. C	PCB	KF-I2C-8-OPTO-TH-000C	REV. C
PRODUCT	KA-I2C-8-OPTO-TH-000C	REV. C	GERBERS	KF-I2C-8-OPTO-TH-000C	REV. C
SIZE	B	DWG. NO.	KS-I2C-8-OPTO-TH-000C	REV	C
SCALE	NONE	DATE	Fri Oct 03, 2008	SHEET	1 of 2



ALL INFORMATION CONTAINED IN OR DISCLOSED BY THIS DOCUMENT IS CONSIDERED PROPRIETARY BY CADX SERVICES, INC. AND IS DELIVERED TO YOU IN CONFIDENCE. ALL DESIGN, MANUFACTURING, USE, PRODUCTION, AND ALL SALES RIGHTS, ARE EXPRESSLY PRESERVED BY AND TO CADX SERVICES, INC. AND COMMUNICATION OF THIS INFORMATION TO OTHERS IS PROHIBITED WITHOUT PRIOR WRITTEN CONSENT OF CADX SERVICES, INC.

SIZE	DWG. NO.	REV
B	KS-I2C-8-OPTO-TH-000C	C
SCALE NONE	DATE Fri Oct 03, 2008	SHEET 2 of 2